

HANDTORQUE™ MULTIPLIERS



CONTENTS

Part Numbers Covered by This Manual	2
Standard Series	2
Small Diameter Series	2
HT4 Series	2
Compact Series	2
Optional Extras	2
Safety	3
Introduction	3
Operating Instructions	4
Torque Reaction	5
Setting Torque for Bolt Tightening (Non-Calibrated)	8
Setting Torque for Bolt Tightening (Calibrated)	8
Setting Torque for Bolt Loosening	9
Operating the Multiplier	9
Anti Wind-Up Ratchet	10
Purpose of the Anti Wind-Up Ratchet	10
Operation of the Anti Wind-Up Ratchet	10
Maintenance	12
Output Square Drive	12
Cleaning	12
Specifications	13
Standard Series	13
Small Diameter Series	13
HT4 Series	14
Compact Series	14
Trouble Shooting	15

PART NUMBERS COVERED BY THIS MANUAL

This manual covers the setup and use of Norbar Handtorque™ multipliers.

Standard Series

Model	Maximum Torque	Part Number	
		Without AWUR	With AWUR
HT 1 & HT 2	1700 N·m	16010, 16012, 16034	16089
HT 5 & HT 6	3400 N·m	16014, 16028, 16016, 16024	16090, 16092, 16093
HT 7	6000 N·m	16067, 16094, 16018	16065, 16095, 16068, 16096
HT 9	9500 N·m	16059	16070, 16071
HT 11	20000 N·m	16082	16049
HT 12	34000 N·m	-	18082
HT 13	47500 N·m	-	16053

Small Diameter Series

Model	Maximum Torque	Part Number	
		Without AWUR	With AWUR
HT 30	3000 N·m	18003	18002, 18004, 18006
HT 60	6000 N·m	-	18008, 18010, 18012

HT4 Series

Model	Maximum Torque	Part Number	
		Without AWUR	With AWUR
HT 4	3000 N·m	17022	-
HT 4	4500 N·m	17021	-

Compact Series

Model	Maximum Torque	Part Number	
		Without AWUR	With AWUR
HT-52 & HT-72	1000 N·m	18087, 18051, 18052, 180200, 180201, 180202, 18014, 180207, 18018, 180211	18083, 18084, 180203, 180204, 18081, 18093, 18094, 180205, 180206
HT-72	1500 N·m	18015, 18016, 180208, 180209	-
HT-72	2000 N·m	18017, 18019, 180210, 180212	18082, 18095, 18096, 180213, 180214
HT-92	4000 N·m	-	18092
HT-119	7000 N·m	-	18091
HT-52 (Handtorque™ Kit)	1000 N·m	-	18196
HT-52 (Handtorque™ Kit)	1000 N·m	-	18197
HT-72 (Handtorque™ Kit)	2000 N·m	-	18198
HT-92 (Handtorque™ Kit)	4000 N·m	-	18199

AWUR = Anti Wind Up Ratchet.

NOTE: For more information on Handtorque™ Kits, see page 9.

Optional Extras

A range of Sockets, Nose Extensions and Annular Torque Transducers are available to suit the Handtorque™ range.

SAFETY

**IMPORTANT: DO NOT OPERATE THE TOOL BEFORE READING THESE INSTRUCTIONS.
FAILURE TO DO SO MAY RESULT IN PERSONAL INJURY OR DAMAGE TO THE TOOL.**

This tool is intended for use with threaded fasteners. Any other use is not recommended.

These tools require a reaction bar. See section on torque reaction.



There is a risk of crushing between the reaction bar and work piece.

Keep hands away from reaction bar.

Keep hands away from tool output.

INTRODUCTION

The Handtorque™ multiplier is a precision tool that will multiply the input torque by the specified ratio.

The Handtorque™ multiplier is a planetary gear system. The outer case of the multiplier, known as the annulus, will rotate in the opposite direction to the input torque unless a reaction arm is fitted to the annulus. Without the reaction arm no torque is applied through the square drive. See section on torque reaction (Page 5) for more details.

Handtorque™ multipliers with a high ratio gearbox (25:1 or more) require a certain amount of windup (backlash) to be taken up before any useful tightening work is applied to the nut. In this instance an Anti Wind-Up Ratchet (AWUR) is fitted to retain all of the wind up forces. See section on AWUR (Page 10 – 11) for more details.

OPERATING INSTRUCTIONS

To operate the Handtorque™ multiplier you will need the following:-

- Power Drive or Impact Quality Sockets.
- Reaction Arm.
- Norbar or other quality torque wrench.

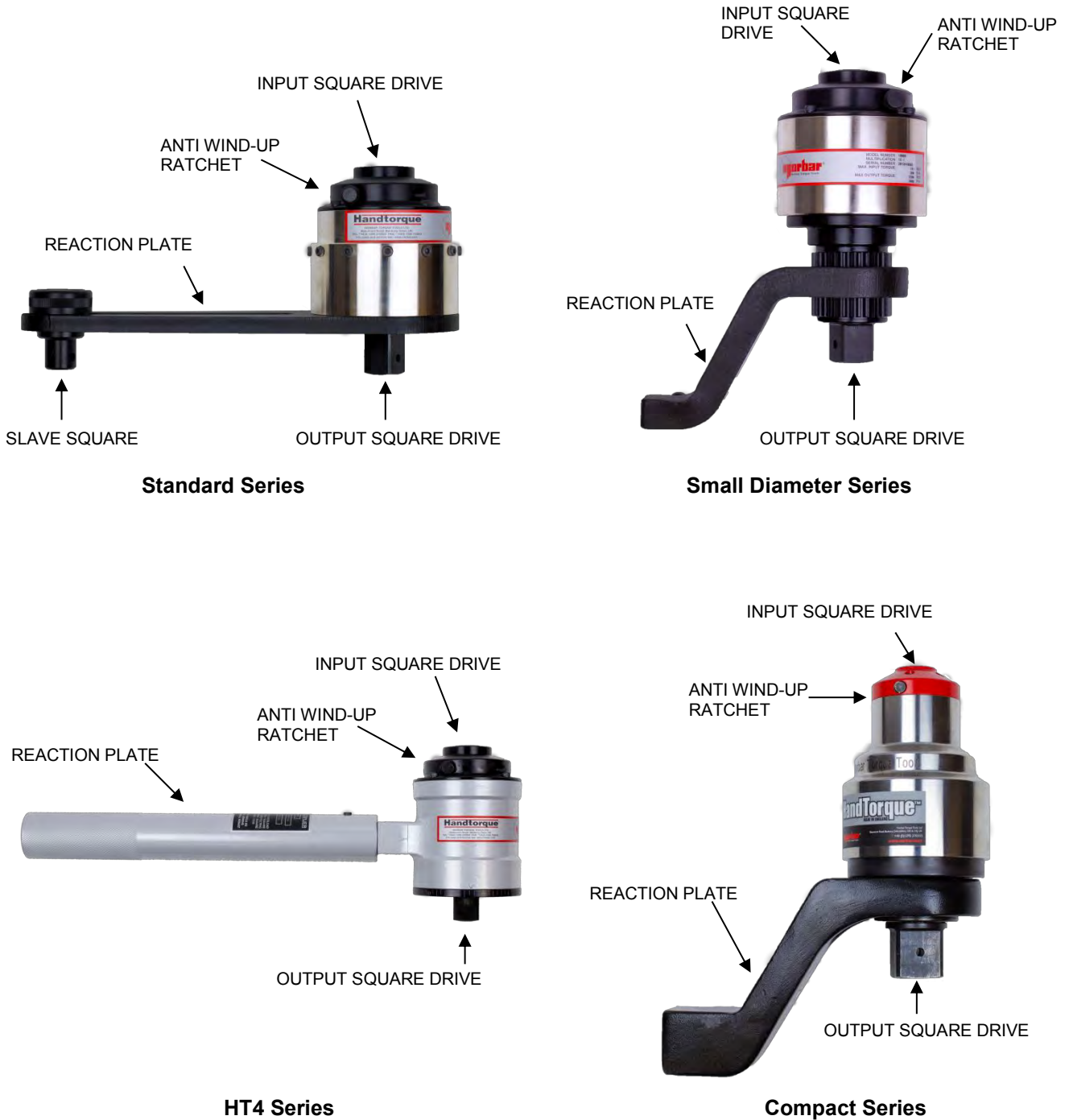


FIGURE 1

Torque Reaction

When the Handtorque™ is in operation, the Reaction Plate rotates in the opposite direction to the Output Square Drive and must be allowed to rest squarely against a solid object or surface adjacent to the bolt to be tightened (see Figure 2).

Where the standard reaction plate is not suitable, it may be possible to adapt it. Refer to your Norbar distributor for advice.

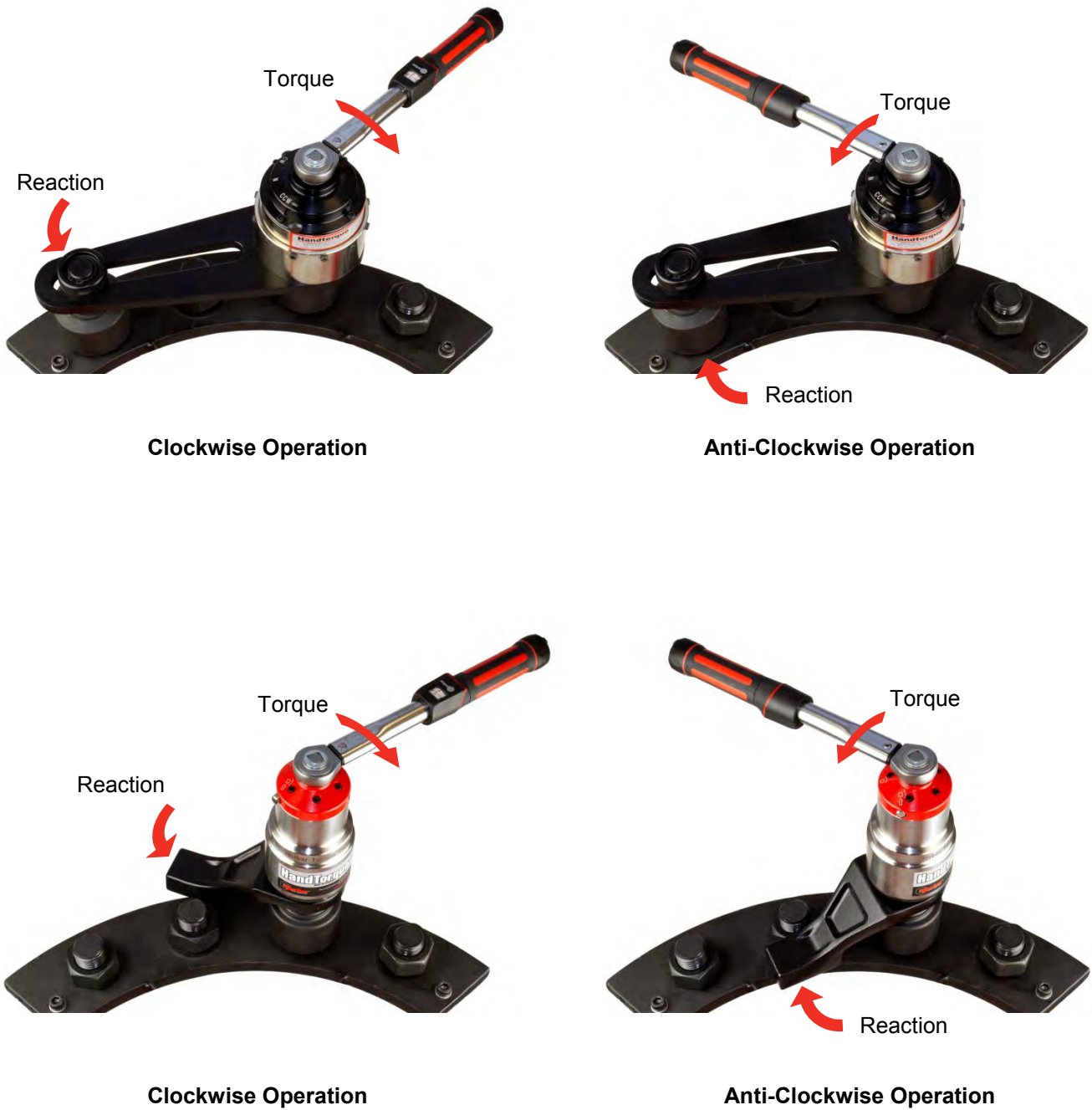


FIGURE 2

IMPORTANT: CARE MUST BE TAKEN TO ENSURE THAT THE REACTION PLATE IS ONLY USED WITHIN THE LIMITATIONS SHOWN IN FIGURES 3, 4, 5 AND 6.

For special applications or where extra deep sockets must be used the standard arm may be extended but only within the limitations shown in Figures 3, 4, 5 and 6.



WARNING: FAILURE TO OBSERVE THE LIMITATIONS SHOWN IN FIGURES 3, 4, 5 AND 6 WHEN MODIFYING STANDARD REACTION PLATES OR MAKING SPECIALS MAY RESULT IN PREMATURE WEAR OR DAMAGE TO THE MULTIPLIER OUTPUT DRIVE.

Standard square drive extensions **MUST NOT** be used as these will cause serious damage to the wrench output drive. Norbar manufacture a range of nose extensions for applications where access is restricted and these are designed to support the final drive correctly.

It is essential the reaction bar rests squarely against a solid object or surface adjacent to the fastener to be tightened, with reaction taken at the end of the reaction bar.

The supplied reaction bar has been designed to give an ideal reaction point when used with a standard length socket. If an extra long socket is used it may move the reaction bar outside the safe reaction window, as shown in figures 3, 4, 5 and 6. The standard reaction bar may need to be extended to ensure it remains wholly within the shaded area.

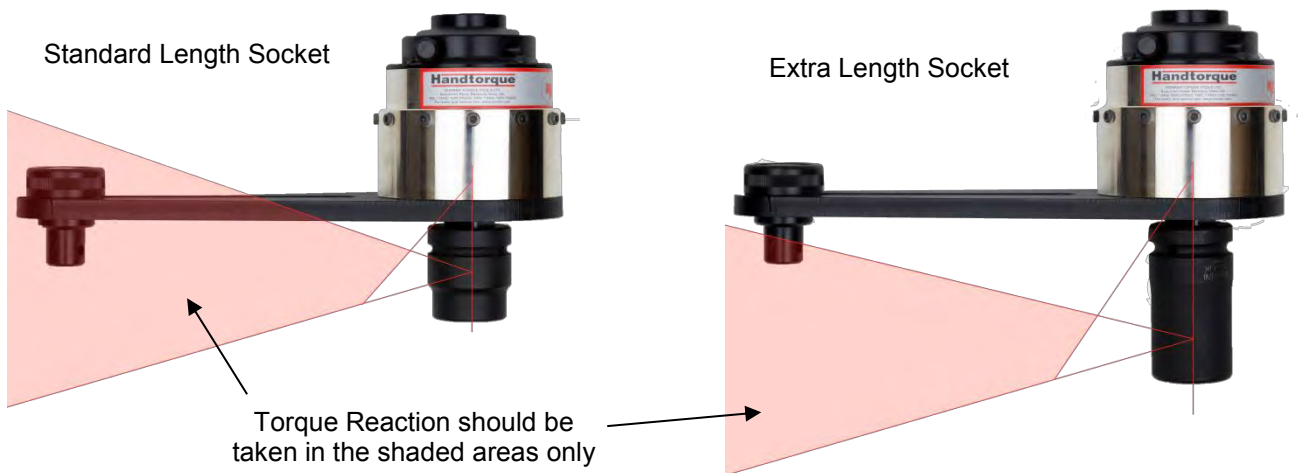


FIGURE 3 – Standard Series Safe Reaction Window

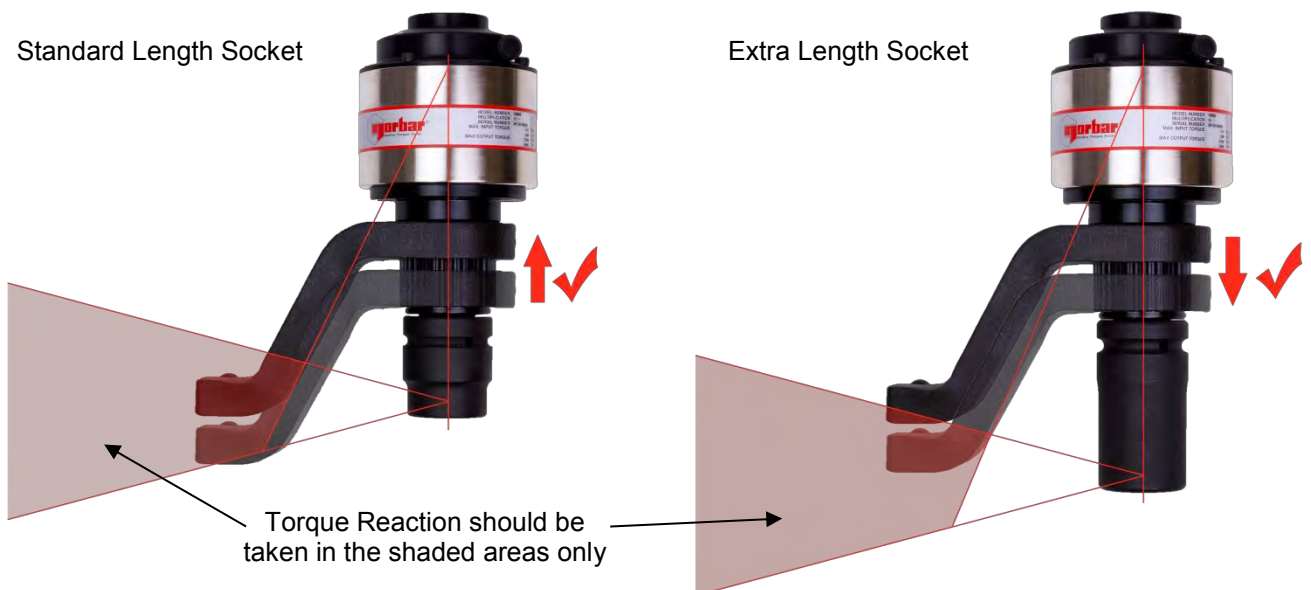


FIGURE 4 – Small Diameter Series Safe Reaction Window

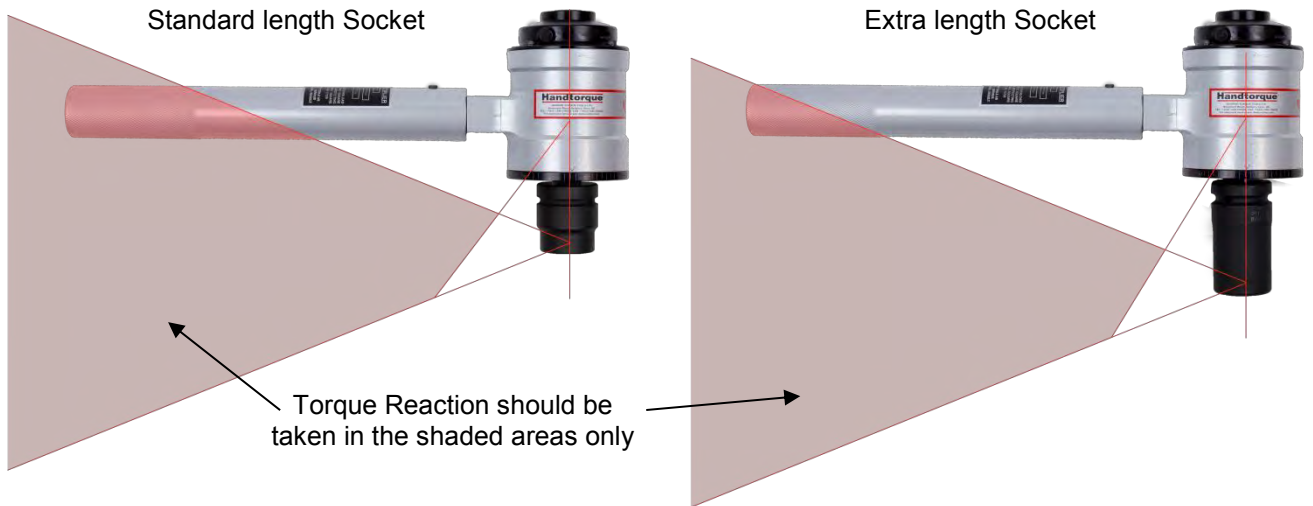


FIGURE 5 – HT 4 Series Safe Reaction Window

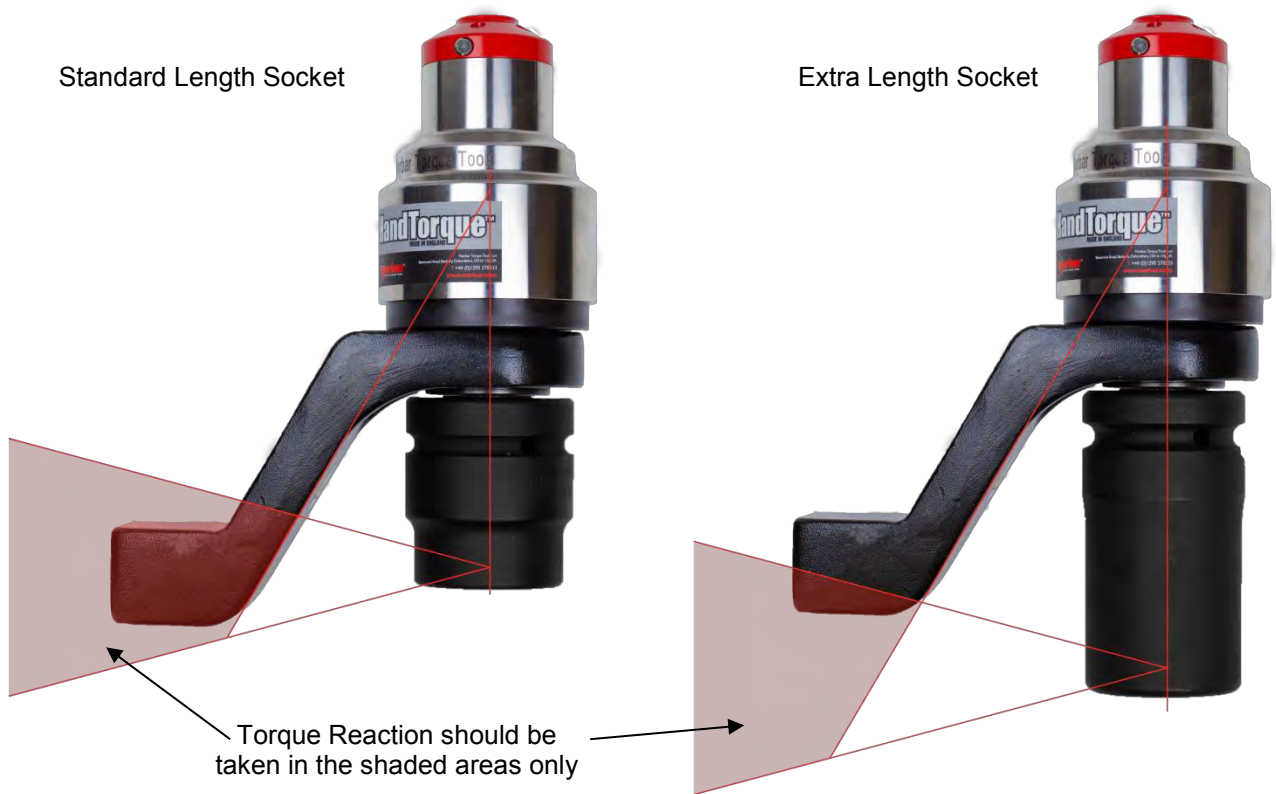


FIGURE 6 – Compact Series Safe Reaction Window

Setting Torque for Bolt Tightening (Non-Calibrated)

1. Establish the correct torque figure for the bolt from manufacturer's instructions or by calculation. A torque tension calculator is available on the Norbar website (www.norbar.com), which can be used as a guide to help calculate the tension generated in a bolt for a given thread size, torque and friction value.

NOTE: Many factors have an effect on the torque/induced load relationship and care should be taken to consider factors such as surface finish and amount/type of lubrication. In critical applications, the relationship between torque and induced load should be determined by experimentation with the actual components and lubrication used.

2. Divide the required torque by the 'Multiplication factor' of the multiplier (See Specifications section, page 13). This gives the input torque.

Example: A Handtorque™ HT 1 has a 'Multiplication ratio of 5:1, so for an input torque of 1 N·m there is an output torque of 5 N·m, with a +/- 4% tolerance.

To reach the Handtorque™ HT 1 maximum output torque of 1,700 N·m the below calculation is made:

$$\frac{1,700 \text{ (Required Torque)}}{5 \text{ (Multiplication Factor)}} = 340 \text{ N·m (Input Torque)}$$

3. Select a suitable torque wrench for the input torque. The wrench should be of high quality and regularly calibrated.

Setting Torque for Bolt Tightening (Calibrated)

This section only applies to Handtorque's that are supplied with a Certificate of Calibration (see Figure 7). The following part numbers come with a Certificate of Calibration; 18091, 18092, 18196, 18197, 18198, 18199, 180200, 180201, 180202, 180203, 180204, 180205, 180206, 180207, 180208, 180209, 180210, 180211, 180212, 180213 and 180214.

1. Establish the correct torque figure for the bolt from manufacturer's instructions or by calculation. A torque tension calculator is available on the Norbar website (www.norbar.com), which can be used as a guide to help calculate the tension generated in a bolt for a given thread size, torque and friction value.

NOTE: Many factors have an effect on the torque/induced load relationship and care should be taken to consider factors such as surface finish and amount/type of lubrication. In critical applications, the relationship between torque and induced load should be determined by experimentation with the actual components and lubrication used.

2. Divide the required torque by the 'Multiplication factor' of the multiplier as stated on the Calibration Certificate included with the Handtorque™. This gives the input torque.

NOTE: Calibrated Handtorque's come with a unique Calibration Certificate which highlights the Handtorque's unique 'Multiplication Ratio. These Handtorque's will have a slight variation in the gearbox ratio, so for more accurate results the ratio on the Calibration Certificate will need to be used.

Norbar multipliers are engineered such that each gear stage has a specific velocity ratio. For example; a 25:1 gearbox has 2 stages each with a velocity ratio of 5.45:1, giving an overall velocity ratio of 29.75:1. Taking the gearbox efficiency into account the multiplication factor will give a ratio of around 25:1.

Torque output calculations are therefore a matter of simple arithmetic with little risk of incorrect bolt loading due to conversion errors. Other manufacturer's multipliers often require graphs or formulae to calculate the input torque to achieve a particular output.

Target Output		Applied Input Torque Readings				Measured Output Torque Readings			
		1	2	3	4	1	2	3	4
400.0		16.6	16.5	16.5	16.6	405.0	387.0	384.0	387.0
2400.0		95.90	95.90	98.10	96.90	2314.0	2356.0	2421.0	2390.0
4000.0		160.10	160.10	160.30	160.20	3927.0	3935.0	3943.0	3906.0
Calculated Average Multiplication Ratio		24.21:1							
Test calibrated in accordance with Norbar test procedure GBA036.									
Input Transducer Serial Number:		83191				Cert No.: 178171			
Output Transducer Serial Number:		62427				Cert No.: 182713 & 182714			

24.21:1

FIGURE 7 – Certificate of Calibration Supplied with Compact Series (see above for applicable models).

Example: The Handtorque™ HT-92 Certificate of Calibration in Figure 7 displays a multiplication ratio of 24.21:1, meaning that for every 1 N·m of input, 24.21 N·m are output, with a +/- 4% tolerance.

To reach the Handtorque™ HT-92 maximum output torque of 4,000 N·m, the below calculation is made:

$$\frac{4,000 \text{ (Required Torque)}}{24.21 \text{ (Multiplication Factor)}} = 165 \text{ N·m (Input Torque)}$$

3. Select a suitable torque wrench for the input torque. The wrench should be of high quality and regularly calibrated.

The HT 52, 72 and 92 Compact Series models can also come as part of a kit which includes a Norbar TTi Torque Wrench and Carry Case. The table below details the range of Handtorque™ Kits available:

Kit Part Number	Kit Contents	
	Handtorque™ Multiplier	Torque Wrench
18184	HT-52 (18196)	TTi 45 lbf·ft ONLY (13684)
18185	HT-52 (18196)	TTi 60 N·m ONLY (13682)
18186	HT-52 (18196)	TTi 60 Dual Scale (13680)
18187	HT-52 (18197)	TTi 45 lbf·ft ONLY (13684)
18188	HT-52 (18197)	TTi 60 N·m ONLY (13682)
18189	HT-52 (18197)	TTi 60 Dual Scale (13680)
18190	HT-72 (18198)	TTi 75 lbf·ft ONLY (13461)
18191	HT-72 (18198)	TTi 100 N·m ONLY (13451)
18192	HT-72 (18198)	TTi 100 Dual Scale (13441)
18193	HT-92 (18199)	TTi 150 lbf·ft ONLY (13463)
18194	HT-92 (18199)	TTi 200 N·m ONLY (13453)
18195	HT-92 (18199)	TTi 200 Dual Scale (13443)

The Handtorque™ Kit has a combined accuracy of +/- 6.5%. This is taken from a combination of the +/- 3% TTi Torque Wrench tolerance and the working variation of the Handtorque™ gearbox.

NOTE: The accuracy of +/- 6.5% is only valid provided the multiplication ratio on the Calibration Certificate is used and reaction is taken within the parameters demonstrated in Figure 6.

Setting Torque for Bolt Loosening

1. To ensure that the multiplier is not overloaded, it is desirable to use a torque wrench even for bolt loosening.
2. Divide the multiplier maximum output by the 'Multiplication factor'. This gives the maximum input torque.
3. Select a suitable torque wrench for the input torque.

NOTE: Some torque wrenches will not be active ('click' or 'break') when used in the anti-clockwise direction.

Operating the Multiplier

1. Fit the multiplier with the correct size of power drive or impact quality socket to suit the bolt to be tightened.
2. Fit the multiplier to the bolt with the reaction plate adjacent to the reaction point. See Figure 2.
3. Fit the torque wrench to the multiplier, set as in 'Setting Torque for Bolt Tightening'.
4. Operate the torque wrench in the normal manner until it 'clicks' or 'breaks'. Smooth and even use of the torque wrench will give more accurate results.

TIP: For extra accuracy a torque transducer can be used to measure the input or output torque.

ANTI WIND-UP RATCHET

Purpose of the Anti Wind-Up Ratchet (AWUR)

Most multipliers with ratios of 25:1 and over are fitted with an anti wind-up ratchet. The multiplier can be thought of as a spring which must be fully wound before any tightening/untightening work can be applied to the bolt.

The AWUR ensures that the 'spring' stays wound and that any further torque input to the multiplier is applied directly to the bolt.

Familiarise yourself with the tool by initially applying low torques and removing wind-up.

There are two different types of AWUR that your Handtorque™ may be equipped with as demonstrated below in Figure 8. The AWUR shown on the left side of the page requires a hexagon key to lock in to the neutral position. The AWUR on the right side of the page will automatically lock into the neutral position without the need for a hexagon key.

Operation of the Anti Wind-Up Ratchet

Please Read Carefully

1. Position the 'ratchet direction selector' for the appropriate direction of operation:



Clockwise Operation / Bolt Tightening



Neutral Position:

Centralise the 'ratchet direction selector'. Depending on model type this may need locking into position using a hexagon key. Check that the input square rotates freely in both directions before operation.



Anti-Clockwise Operation / Bolt Loosening



FIGURE 8

Test direction of rotation and ensure that the ratchet operates freely.



Or CW = Clockwise



Or CCW = Anti-Clockwise



Or N = Neutral



WARNING: DO NOT USE TOOL IF RATCHET DOES NOT OPERATE FREELY.

2. To apply torque, follow the instructions given earlier for setting and operating of the multiplier. Set the direction of operation for the Anti Wind-Up ratchet as shown in Figure 8.
3. **To remove the multiplier**, carefully load the gearbox until the 'ratchet direction selector' can be moved towards the neutral position. Allow the wrench to rotate slowly anti-clockwise until the multiplier becomes free.

3.1 Load the torque wrench.

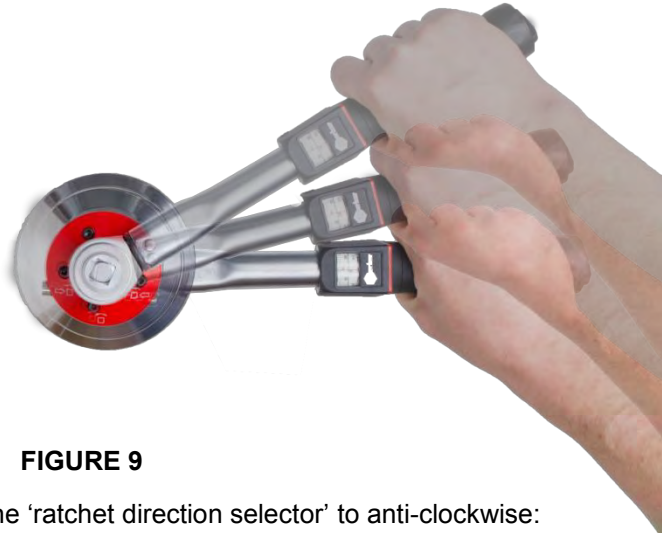


FIGURE 9

3.2 With the wrench still loaded, move the 'ratchet direction selector' to anti-clockwise:



FIGURE 10

3.3 Allow the torque wrench to rotate slowly until the multiplier becomes free.



FIGURE 11

If wind-up cannot be released with one sweep of the wrench, re-engage the ratchet by pushing the 'ratchet direction selector' back to the clockwise position. Reposition the wrench and follow procedure 3 until the wind-up is fully released.

4. The tool may now be removed from the fastener.
5. Familiarise yourself with this tool by initially applying low torques and removing wind-up.

We recommend that the Anti Wind up assembly input gear and ratchet teeth are inspected annually by your Norbar approved distributor for wear or damage.

MAINTENANCE

Output Square Drive

The only user maintenance required on Handtorque™ multipliers is the replacement of drive squares, should they become damaged. To avoid internal damage (especially due to torque overload), the output drive square / shaft have been designed to shear first. This saves major internal damage and allows easy square removal.

In some instances the square drive will not be removable without disassembling the gearbox. In these cases the Handtorque™ multiplier should be returned to Norbar or a Norbar approved agent for repair.

However, in many cases the square drive can be replaced without disassembling the gearbox.

In these cases remove the bolt holding the drive square in position (bolt will be either M4 or M5).

Then remove the broken / damaged drive square.

Fit the new drive square.

Fit the new bolt and tighten (4.7 N·m for M4 bolts and 9 N·m for M5 bolts)



FIGURE 12

Any other maintenance or repairs should be carried out by Norbar or a Norbar approved agent and should form part of a service. Service intervals will depend on the type of usage of the tools and the environment in which they are being used.

Cleaning

Keep the tool in a clean condition to aid safety. Do not use abrasives or solvent based cleaners.

SPECIFICATIONS

Standard Series

Model	Part Number	Maximum Torque Output		Ratio	Input Square	Output Square
		N·m	lbf·ft		In	in
HT 1/5	16010	1700	1250	5:1	½"	¾"
HT 2/5	16012	1700	1250	5:1	¾"	1"
HT 2/25	16034	1700	1250	25:1	¾"	1"
HT 2/25 AWUR	16089	1700	1250	25:1	¾"	1"
HT 5/5	16014	3400	2500	5:1	¾"	1"
HT 5/25	16028	3400	2500	25:1	½"	1"
HT 5/25 AWUR	16090	3400	2500	25:1	½"	1"
HT 6/5	16016	3400	2500	5:1	¾"	1 ½"
HT 6/25	16024	3400	2500	25:1	½"	1 ½"
HT 6/25 AWUR	16092	3400	2500	25:1	½"	1 ½"
HT 6/125 AWUR	16093	3400	2500	125:1	½"	1 ½"
HT 7/5	16067	6000	4425	5:1	¾"	1 ½"
HT 7/5	16094	6000	4425	5:1	½"	1 ½"
HT 7/25	16018	6000	4425	25:1	½"	1 ½"
HT 7/25 AWUR	16065	6000	4425	25:1	½"	1 ½"
HT 7/25 Small Diameter AWUR	16095	6000	4425	25:1	½"	1 ½"
HT 7/125	16068	6000	4425	125:1	½"	1 ½"
HT 7/125 Small Diameter AWUR	16096	6000	4425	125:1	½"	1 ½"
HT 9/25	16059	9500	7000	25:1	¾"	1 ½"
HT 9/25 AWUR	16070	9500	7000	25:1	¾"	1 ½"
HT 9/125 AWUR	16071	9500	7000	125:1	½"	1 ½"
HT 11/25	16082	20000	14700	25:1	¾"	2 ½"
HT 11/125 AWUR	16049	20000	14700	125:1	½"	2 ½"
HT 12/87.5 AWUR	18085	34000	25000	87.5:1	¾"	2 ½"
HT 13/125 AWUR	16053	47500	35000	125:1	¾"	2 ½"

Small Diameter Series

Model	Part Number	Maximum Torque Output		Ratio	Input Square	Output Square
		N·m	lbf·ft		in	in
HT 30/5 AWUR	18002	3000	2200	5:1	¾"	1"
HT 30/5	18003	3000	2200	5:1	¾"	1"
HT 30/15 AWUR	18004	3000	2200	15:1	½"	1"
HT 30/25 AWUR	18006	3000	2200	25:1	½"	1"
HT 60/25 AWUR	18008	6000	4425	25:1	½"	1 ½"
HT 60/75 AWUR	18010	6000	4425	75:1	½"	1 ½"
HT 60/125 AWUR	18012	6000	4425	125:1	½"	1 ½"

HT4 Series

Model	Part Number	Maximum Torque Output		Ratio	Input Square	Output Square
		N·m	lbf·ft		in	in
HT4/15.5	17022	3000	2200	15.5:1	½"	1"
HT4/26	17021	4500	3300	26:1	½"	1"

Compact Series

Model	Part Number	Maximum Torque Output		Ratio	Input Square	Output Square
		N·m	lbf·ft		in	In
HT-52/4.5	18087	1000	740	4.5:1	½"	¾"
HT-52/4.5	180200	1000	740	4.5:1	½"	¾"
HT-52/22	18051	1000	740	22:1	⅜"	¾"
HT-52/22	180201	1000	740	22:1	⅜"	¾"
HT-52/22	18052	1000	740	22:1	½"	¾"
HT-52/22	180202	1000	740	22:1	½"	¾"
HT-52/22 AWUR	18083	1000	740	22:1	⅜"	¾"
HT-52/22 AWUR	180203	1000	740	22:1	⅜"	¾"
HT-52/22 AWUR	18084	1000	740	22:1	½"	¾"
HT-52/22 AWUR	180204	1000	740	22:1	½"	¾"
HT-52/22 AWUR	18093	1000	740	22:1	⅜"	1"
HT-52/22 AWUR	180205	1000	740	22:1	⅜"	1"
HT-52/22 AWUR	18094	1000	740	22:1	½"	1"
HT-52/22 AWUR	180206	1000	740	22:1	½"	1"
HT-72/5	18014	1000	740	5:1	½"	¾"
HT-72/5	180207	1000	740	5:1	½"	¾"
HT-72/5	18015	1500	1100	5:1	½"	1"
HT-72/5	180208	1500	1100	5:1	½"	1"
HT-72/5	18016	1500	1100	5:1	¾"	¾"
HT-72/5	180209	1500	1100	5:1	¾"	¾"
HT-72/5	18017	2000	1450	5:1	¾"	1"
HT-72/5	180210	2000	1450	5:1	¾"	1"
HT-72/25	18018	1000	740	25:1	½"	¾"
HT-72/27	180211	1000	740	27:1	½"	¾"
HT-72/25	18019	2000	1450	25:1	½"	1"
HT-72/27	180212	2000	1450	27:1	½"	1"
HT-72/25 AWUR	18081	1000	740	25:1	½"	¾"
HT-72/25 AWUR	18082	2000	1450	25:1	½"	1"
HT-72/27 AWUR	180213	2000	1450	27:1	½"	¾"
HT-72/27 AWUR	180214	2000	1450	27:1	½"	1"
HT-92/25 AWUR	18092	4000	2950	25:1	½"	1"
HT-119/25 AWUR	18091	7000	5100	25:1	½"	1 ½"
HT-52 (Handtorque™ Kit)	18196	1000	740	22:1	½"	¾"
HT-52 (Handtorque™ Kit)	18197	1000	740	22:1	½"	1"
HT-72 (Handtorque™ Kit)	18198	2000	1450	27:1	½"	1"
HT-92 (Handtorque™ Kit)	18199	4000	2950	25:1	½"	1"

NOTE: Some of the ratios in the above table are a rough guide only, for more accurate results please refer to the multiplication ratio on your Certificate of Calibration provided with your Handtorque™ (see page 8).

TROUBLE SHOOTING

The following is only a guide, for more complex faults please contact your local Norbar agent or Norbar directly.

Problem	Likely Solutions
Drive square sheared	See maintenance section.
Input drive rotates but output will not	Serious damage to internal gears, return to Norbar or agent for repair (Check AWUR change lever is not in neutral position).
Input drive will not rotate	Check AWUR change lever is in the correct position.

NOTES

HANDTORQUE™ DREHMOMENTVERVEILFÄTIGER



INHALT

Teilenummern, für die diese Bedienungsanleitung gilt	2
Standard – Serien	2
Serien Für Kleine Durchmesser	2
HT4 – Serien	2
Compact Serien	2
Optionales Zubehör	2
Sicherheit	3
Einleitung	3
Betrieb	4
Abstützvorrichtung	5
Drehmoment zum Schraubenanziehen einstellen (Nicht Kalibriert)	8
Drehmoment zum Schraubenanziehen einstellen (Kalibriert)	8
Drehmoment zum Schraubenlösen einstellen	10
Vervielfältiger bedienen	10
Ratsche Mit Rücklaufsperr	11
Zweck der Ratsche mit Rücklaufsperr	11
Betrieb der Ratsche mit Rücklaufsperr	11
Wartung	13
Abriebsvierkant	13
Reinigung	13
Technische Daten	14
Standard – Serien	14
Serien Für Kleine Durchmesser	14
HT4 – Serien	15
Compact Serien	15
Fehlersuche	16

TEILENUMMERN, FÜR DIE DIESE BEDIENUNGSANLEITUNG GELTEN

Diese Bedienungsanleitung beschreibt die Installation und den Gebrauch der Norbar Handtorque™ Drehmomentvervielfältiger.

Standard - Serien

Modell	Maximal Drehmoment	Teile - Nr	
		Ohne RAS	Mit RAS
HT 1 & HT 2	1700 N·m	16010, 16012, 16034	16089
HT 5 & HT 6	3400 N·m	16014, 16028, 16016, 16024	16090, 16092, 16093
HT 7	6000 N·m	16067, 16094, 16018	16065, 16095, 16068, 16096
HT 9	9500 N·m	16059	16070, 16071
HT 11	20000 N·m	16082	16049
HT 12	34000 N·m	-	18082
HT 13	47500 N·m	-	16053

Serien Für Kleine Durchmesser

Modell	Maximal Drehmoment	Teile - Nr	
		Ohne RAS	Mit RAS
HT 30	3000 N·m	18003	18002, 18004, 18006
HT 60	6000 N·m	-	18008, 18010, 18012

HT4 - Serien

Modell	Maximal Drehmoment	Teile - Nr	
		Ohne RAS	Mit RAS
HT 4	3000 N·m	17022	-
HT 4	4500 N·m	17021	-

Compact Serien

Modell	Maximal Drehmoment	Teile - Nr	
		Ohne RAS	Mit RAS
HT-52 & HT-72	1000 N·m	18087, 18051, 18052, 180200, 180201, 180202, 18014, 180207, 18018, 180211	18083, 18084, 180203, 180204, 18081, 18093, 18094, 180205, 180206
HT-72	1500 N·m	18015, 18016, 180208, 180209	-
HT-72	2000 N·m	18017, 18019, 180210, 180212	18082, 18095, 18096, 180213, 180214
HT-92	4000 N·m	-	18092
HT-119	7000 N·m	-	18091
HT-52 (Handtorque™-Satz)	1000 N·m	-	18196
HT-52 (Handtorque™-Satz)	1000 N·m	-	18197
HT-72 (Handtorque™-Satz)	2000 N·m	-	18198
HT-92 (Handtorque™-Satz)	4000 N·m	-	18199

RAS = Rücklauf Sperre

HINWEIS: Weitere Informationen über Handtorque™-Sätze siehe Seite 9.

Optionales Zubehör

Für diese Handtorque™ Produktreihe ist eine Vielzahl an Verlängerungsstücken und ringförmigen Meßwertgebern erhältlich.

SICHERHEIT

WICHTIG: DIESES WERKZEUG DARF NUR BETRIEBEN WERDEN, WENN ZUVOR DIESE BEDIENUNGSANLEITUNG GELESEN UND VERSTANDEN WURDE. BEI NICHTBEACHTUNG BESTEHT DIE GEFAHR VON PERSONEN-UND SACHSCHÄDEN DURCH DAS WERZEUG.

Dieses Werkzeug darf nur für Befestigungsmittel mit Gewinde verwendet werden. Ein anderweitiger Gebrauch ist nicht zulässig.

Diese Werkzeuge benötigen eine Abstützvorrichtung. Näheres dazu finden Sie im Abschnitt Abstützvorrichtung.



Zwischen der Abstützvorrichtung und dem Werkstück besteht Quetschgefahr.

Hände immer von der Abstützvorrichtung fernhalten.

Hände immer vom Werkzeugansatz fernhalten.

EINLEITUNG

Der handgeführte Drehmomentvervielfältiger ist ein Präzisionswerkzeug mithilfe dessen das Eingangsdrehmoment exakt gemäß dem spezifizierten Verhältnis vervielfältigt wird.

Der Handtorque™ Drehmomentvervielfältiger ist ein Planetengetriebesystem. Das äußere Gehäuse des Drehmomentvervielfältigers, das auch Kranz genannt wird, rotiert in entgegengesetzter Richtung des Eingangsdrehmoments, außer die Abstützvorrichtung wurde am Kranz montiert. Ohne die Abstützvorrichtung wird kein Drehmoment über den Antriebsvierkant ausgeübt. Weitere Informationen hierzu finden Sie im Abschnitt Abstützvorrichtung (Seite 5).

Handtorque™ Drehmomentvervielfältiger mit einem hohen Untersetzungsverhältnis (25:1 oder mehr) benötigen eine große Spannung (Backlash), die aufgebaut werden muss, bevor die Anschraubung von Schrauben beginnen kann. In diesem Fall wurde eine Ratsche mit Rücklauf Sperre (RAS) eingebaut, um die Anzugsspannung zu erhalten. Weitere Informationen hierzu finden Sie im Abschnitt RAS (Seite 11 – 12).

BETRIEB

Zum Betrieb des handgeführten Drehmomentvervielfältigers ist folgendes erforderlich:-

- Kraftantrieb oder Kraft-Einsatz.
- Abstützvorrichtung.
- Drehmomentschlüssel der Marke Norbar oder vergleichbare Qualität eines anderen Herstellers.

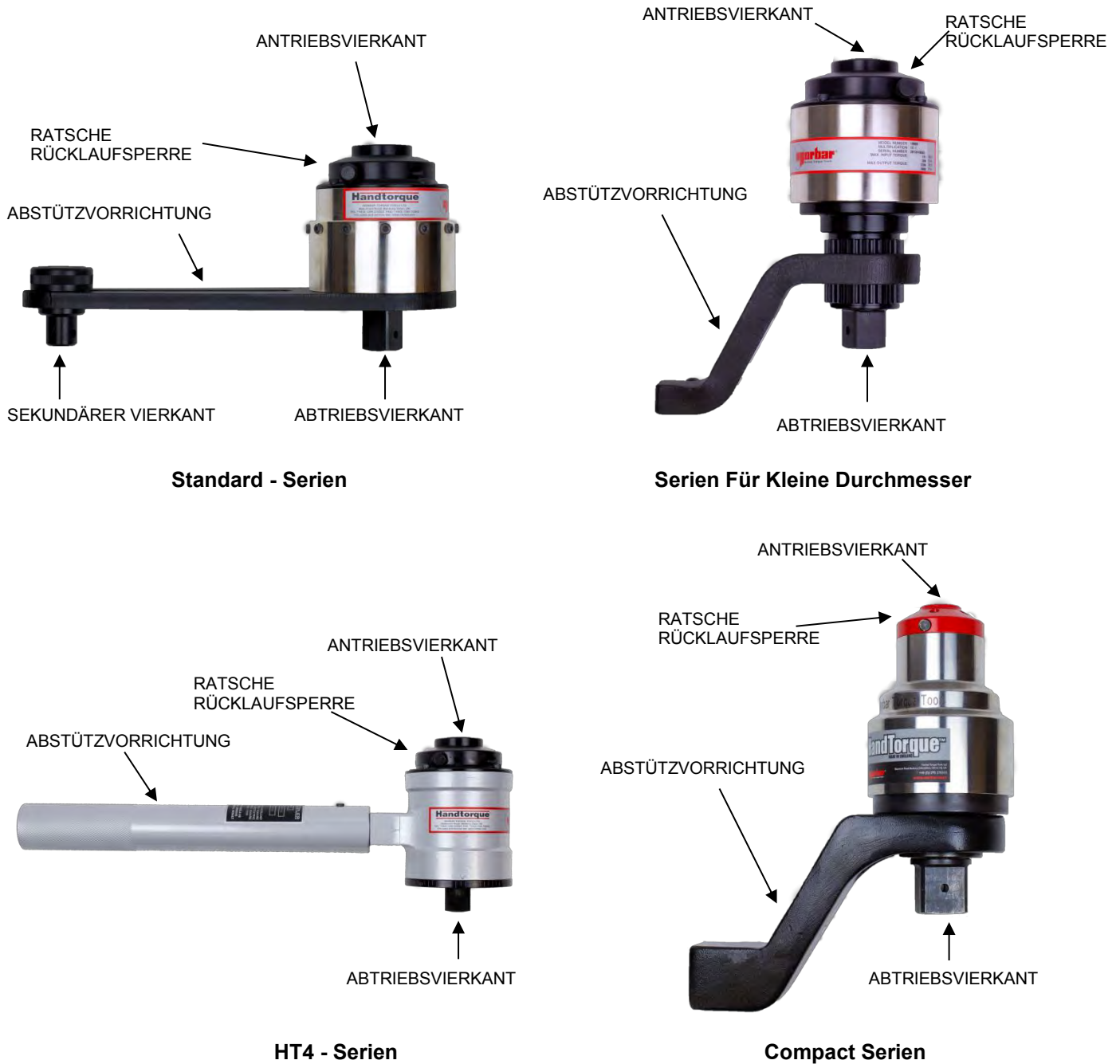


ABBILDUNG 1

Abstützvorrichtung

Wenn der handgeführte Drehmomentschlüssel betätigt wird, dreht sich die Abstützvorrichtung in entgegengesetzter Richtung des Abtriebsvierkants. Die Stütze muss dann voll auf einem festen Körper oder einer festen Oberfläche aufliegen, die an die zu befestigende Schraube angrenzt (siehe Abb. 2).

Sollte sich die Standard-Abstützvorrichtung für eine spezielle Anwendung nicht eignen, kann sie entsprechend angepasst werden. Für weitere Informationen wenden Sie sich bitte an Ihren Norbar-Vertriebspartner.

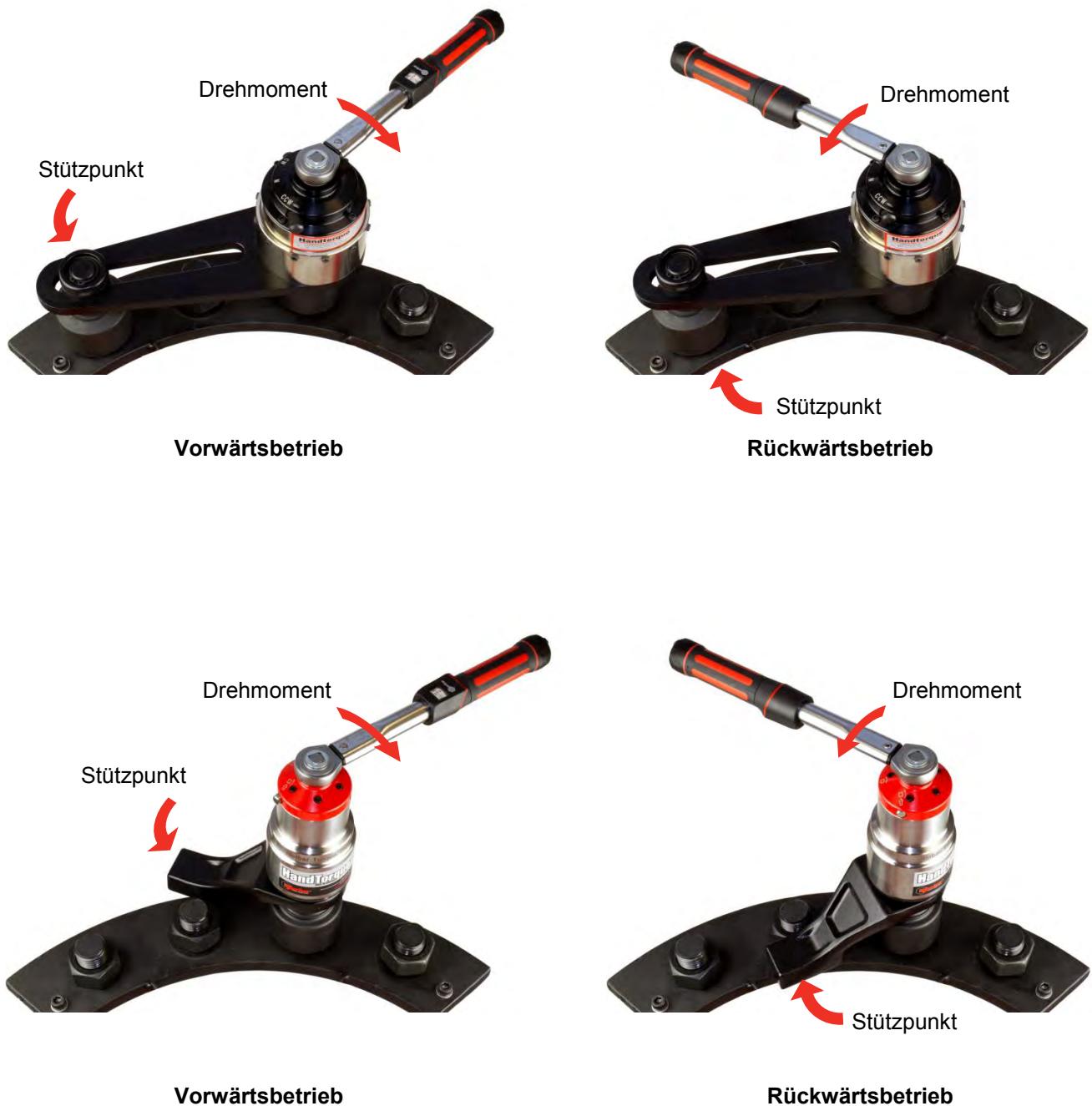


ABBILDUNG 2

WICHTIG: ES MUSS UNBEDINGT DARAUF GEACHTET WERDEN, DASS DIE ABSTÜTZVORRICHTUNG NUR INNERHALB DER IN DEN ABBILDUNGEN 3, 4, 5 UND 6 GEZEIGTEN GRENZEN BETRIEBEN WIRD.

Bei Sonderanwendungen und bei Fällen, bei denen ein extra langer Steckschlüssel benötigt wird, kann die Standard-Abstützvorrichtung verlängert werden. Allerdings müssen die in den Abbildungen 3, 4, 5 und 6 gezeigten Einschränkungen eingehalten werden.



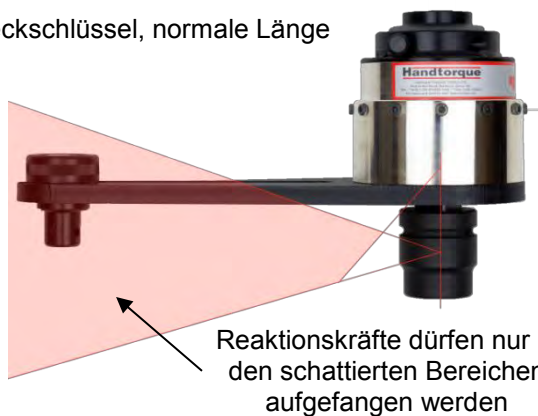
ACHTUNG: EIN NICHTBEACHTEN DER IN DEN ABBILDUNGEN 3, 4, 5 UND 6 GEZEIGTEN EINSCHRÄNKUNGEN BEIM MODIFIZIEREN EINER STANDARD ABSTÜTZVORRICHTUNG KANN ZU EINEM VORZEITIGEN VERSCHLEISS ODER ZU BESCHÄDIGUNGEN AM ABTRIEB DES VERVIELFÄLTIGERS FÜHREN.

Verlängerungen für den Standardantriebsvierkant DÜRFEN NICHT verwendet werden, da sonst der Ausgangsantrieb des Werkzeugs ernsthaft beschädigt wird. Für Anwendungen mit eingeschränktem Zugang stehen eine Reihe von Ansatzverlängerungen von Norbar zur Verfügung, mit denen das Antriebsstück richtig gestützt wird.

Es ist unerlässlich, dass die Drehmomentstütze direkt an einem festen Körper oder einer festen Oberfläche in der Nähe des festzuziehenden Befestigungselements anliegt, sodass die Abstützung am Ende der Drehmomentstütze erfolgt.

Die mitgelieferte Drehmomentstütze wurde so entwickelt, dass sie einen idealen Stützpunkt bietet, wenn sie mit einer Fassung in Standardlänge genutzt wird. Falls eine extra lange Fassung genutzt wird, kann dies zu einer Verlagerung der Drehmomentstütze außerhalb des sicheren Stützfensters führen, wie in den Abbildungen 3, 4, 5 und 6 gezeigt. Die Standarddrehmomentstütze muss ggf. verlängert werden, um sicherzustellen, dass sie vollständig in dem farblich hervorgehobenen Bereich bleibt.

Steckschlüssel, normale Länge



Steckschlüssel, extra lang

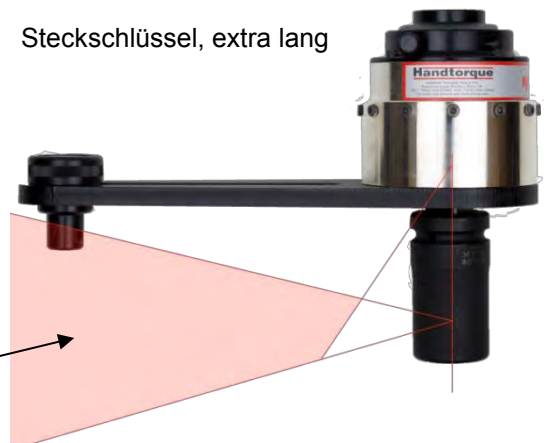
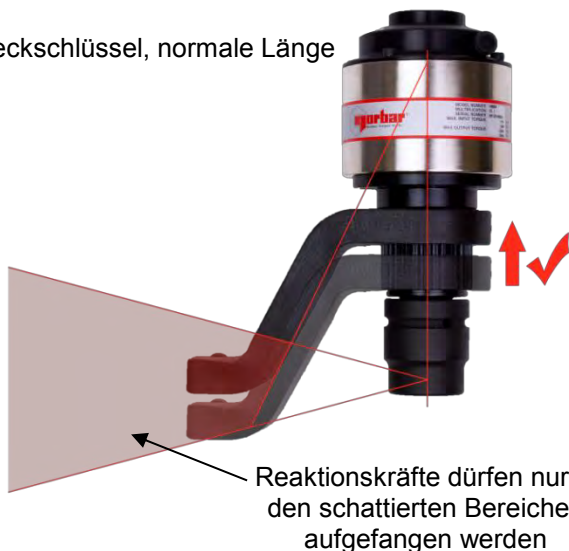


ABBILDUNG 3 – Standard - Serien Sicheres Stützfenster

Steckschlüssel, normale Länge



Steckschlüssel, extra lang

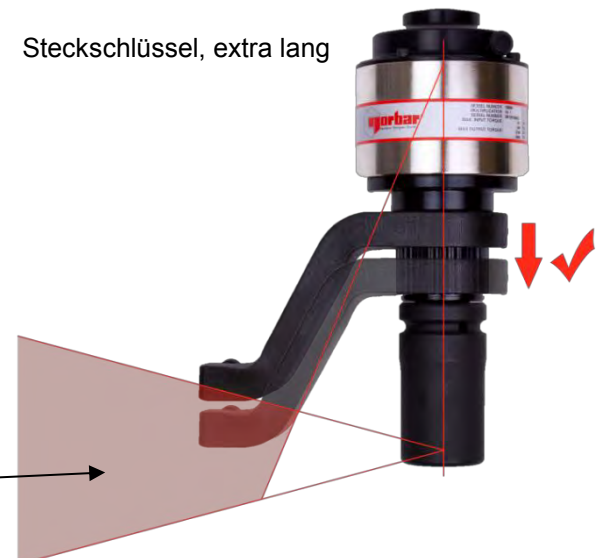


ABBILDUNG 4 – Serien Für Kleine Durchmesser Sicheres Stützfenster

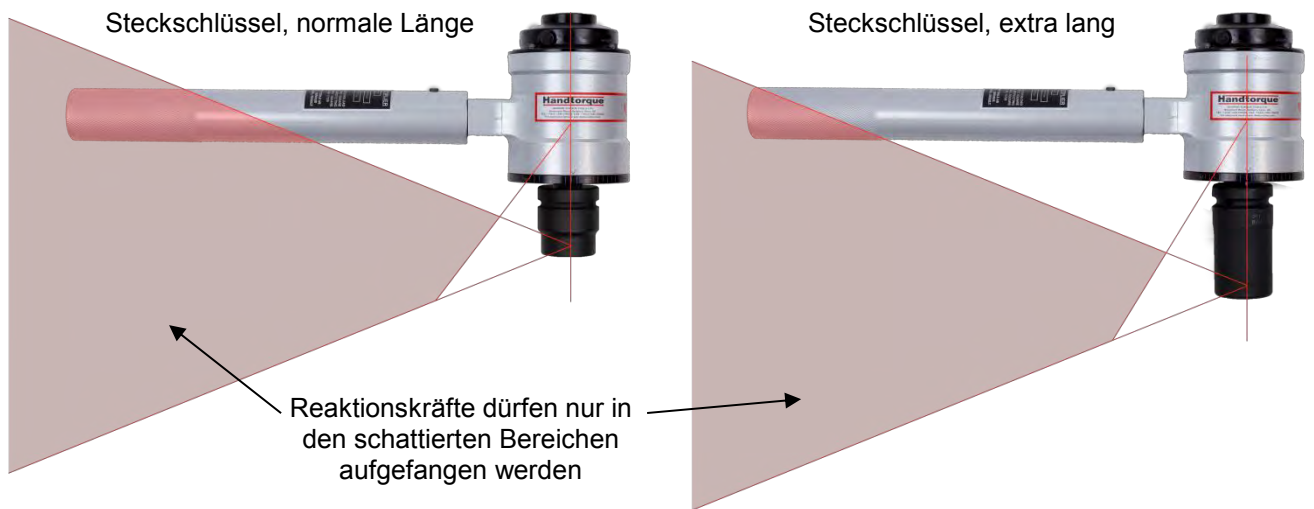


ABBILDUNG 5 – HT4 - Serien Sicheres Stützfenster

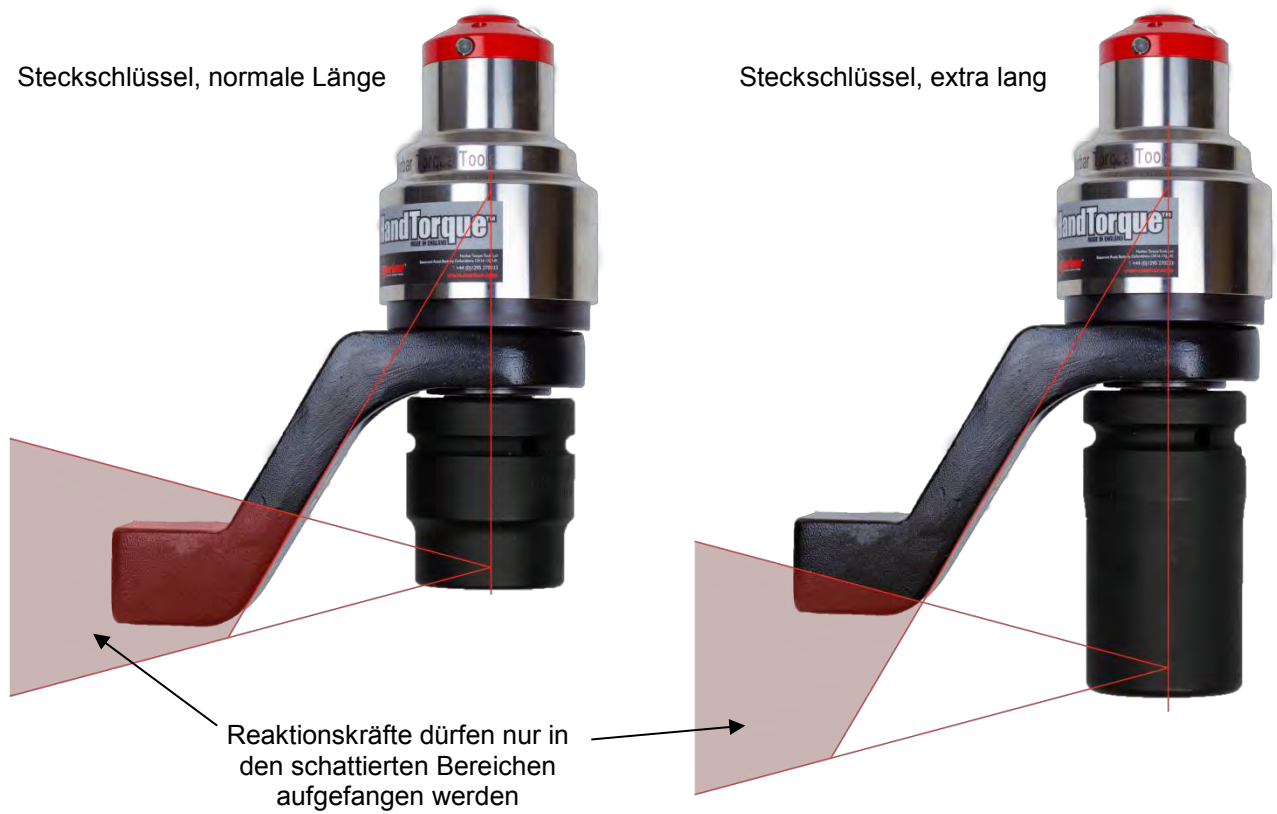


ABBILDUNG 6 – Compact Serien Sicheres Stützfenster

Drehmoment Zum Schraubenanziehen Einstellen (Nicht Kalibriert)

1. Stellen Sie das korrekte Drehmoment für die Schraube anhand der Herstellervorgaben oder durch Berechnung ein. Ein Drehmomentrechner ist auf der Norbar Internetseite (www.norbar.com) verfügbar und dient als Orientierung für die Berechnung des Drehmoments, der in Bolzen mit einer bestimmten Gewindegröße, Drehmoment und Reibwert erzeugt wird.

HINWEIS: VIELE FAKTOREN KÖNNEN EINEN EINFLUSS AUF DAS VERHÄLTNISS ZWISCHEN DEM DREHMOMENT UND DER INDUKTIVEN LAST HABEN UND MÜSSEN DAHER BERÜCKSICHTIGT WERDEN. ZU DIESEN FAKTOREN GEHÖREN AUCH DIE OBERFLÄCHENBESCHAFFENHEIT UND DIE MENGE/ART DES SCHMIERMITTELS. IN KRITISCHEN ANWENDUNGEN SOLLTE DAS VERHÄLTNISS ZWISCHEN DEM DREHMOMENT UND DER INDUKTIVEN LAST DURCH VERSUCHE MIT DEN TATSÄCHLICHEN KOMPONENTEN UND DEM VERWENDETEN SCHMIERMITTEL BESTIMMT WERDEN.

2. Teilen Sie das erforderliche Drehmoment durch das „Übersetzungsverhältnis des Vervielfältigers (Siehe Abschnitt zu den technischen Daten auf Seite 14). Sie erhalten den Wert für das Eingangsdrehmoment.

Beispiel: Ein Handtorque™ HT 1 hat ein „Multiplikationsverhältnis“ von 5:1, das heißt, bei einem Eingabe-Drehmoment von 1 Nm erhält man ein Ausgabe-Drehmoment von 5 Nm mit einer Toleranz von +/- 4 %.

Um das maximale Ausgabe-Drehmoment des Handtorque™ HT 1 von 1.700 Nm zu erreichen, wird die folgende Rechnung vorgenommen:

$$\frac{1.700 \text{ Nm (gewünschtes Drehmoment)}}{5 \text{ (Multiplikationsfaktor)}} = 340 \text{ Nm (Eingabe-Drehmoment)}$$

3. Wählen Sie einen geeigneten Drehmomentschlüssel für das Eingangsdrehmoment. Achten Sie darauf, dass der Schlüssel aus qualitativ hochwertigem Material besteht und regelmäßig kalibriert wird.

Drehmoment Zum Schraubenanziehen Einstellen (Kalibriert)

Dieser Abschnitt bezieht sich nur auf Handtorques, für die ein Kalibrierungszertifikat (siehe Abbildung 7) mitgeliefert wurde. Die folgenden Teilenummern werden mit einem Kalibrierungszertifikat geliefert: 18091, 18092, 18196, 18197, 18198, 18199, 180200, 180201, 180202, 180203, 180204, 180205, 180206, 180207, 180208, 180209, 180210, 180211, 180212, 180213 und 180214.

1. Stellen Sie das korrekte Drehmoment für die Schraube anhand der Herstellervorgaben oder durch Berechnung ein. Ein Drehmomentrechner ist auf der Norbar Internetseite (www.norbar.com) verfügbar und dient als Orientierung für die Berechnung des Drehmoments, der in Bolzen mit einer bestimmten Gewindegröße, Drehmoment und Reibwert erzeugt wird.

HINWEIS: VIELE FAKTOREN KÖNNEN EINEN EINFLUSS AUF DAS VERHÄLTNISS ZWISCHEN DEM DREHMOMENT UND DER INDUKTIVEN LAST HABEN UND MÜSSEN DAHER BERÜCKSICHTIGT WERDEN. ZU DIESEN FAKTOREN GEHÖREN AUCH DIE OBERFLÄCHENBESCHAFFENHEIT UND DIE MENGE/ART DES SCHMIERMITTELS. IN KRITISCHEN ANWENDUNGEN SOLLTE DAS VERHÄLTNISS ZWISCHEN DEM DREHMOMENT UND DER INDUKTIVEN LAST DURCH VERSUCHE MIT DEN TATSÄCHLICHEN KOMPONENTEN UND DEM VERWENDETEN SCHMIERMITTEL BESTIMMT WERDEN.

2. Teilen Sie das erforderliche Drehmoment durch das „Übersetzungsverhältnis des Vervielfältigers wie auf dem Kalibrierungszertifikat, das mit dem Handtorque™ geliefert wurde, angegeben ist. Sie erhalten den Wert für das Eingangsdrehmoment.

HINWEIS: Kalibrierte Handtorques werden mit einem einzigartigen Kalibrierungszertifikat geliefert, auf dem das einzigartige „Multiplikationsverhältnis“ des Handtorques hervorgehoben ist. Diese Handtorques haben eine leichte Abweichung in Bezug auf die Getriebeübersetzung, sodass für genauere Ergebnisse das Verhältnis auf dem Kalibrierungszertifikat genutzt werden sollte.

Verstärker von Norbar wurden so entwickelt, dass jeder Getriebestufe ein bestimmtes Geschwindigkeitsverhältnis zugeordnet ist. Wenn beispielsweise ein 25:1-Getriebe 2 Stufen hat, die jeweils ein Geschwindigkeitsverhältnis von 5,45:1 aufweisen, erhält man ein Gesamtgeschwindigkeitsverhältnis von 29,75:1. Kalkuliert man die Effizienz des Getriebes ein, ergibt der Multiplikationsfaktor ein Verhältnis von ungefähr 25:1.

Berechnungen des Ausgabe-Drehmoments sind daher eine Frage einfacher Arithmetik mit einem geringen Risiko einer fehlerhaften Vorspannung des Befestigungselements aufgrund von Umwandlungsfehlern. Verstärker anderer Hersteller benötigen häufig Graphen oder Formeln, um das Eingabe-Drehmoment zu berechnen, damit ein bestimmtes Ausgabe-Drehmoment erreicht wird.

Beispiel: Das Kalibrierungszertifikat des Handtorque™ HT-92 in Abbildung 7 zeigt ein Multiplikationsverhältnis von 24,21:1, dies bedeutet, dass man bei einem Eingabe-Drehmoment von 1 Nm ein Ausgabe-Drehmoment von 24,21 Nm erhält, mit einer Toleranz von +/- 4 %.

Um das maximale Ausgabe-Drehmoment des Handtorque™ HT-92 von 4.000 Nm zu erreichen, wird die folgende Rechnung vorgenommen:

$$\frac{4.000 \text{ Nm (gewünschtes Drehmoment)}}{24,21 \text{ (Multiplikationsfaktor)}} = 165 \text{ Nm (Eingabe-Drehmoment)}$$

- Wählen Sie einen geeigneten Drehmomentschlüssel für das Eingangsdrehmoment. Achten Sie darauf, dass der Schlüssel aus qualitativ hochwertigem Material besteht und regelmäßig kalibriert wird.

Die Modelle HT 52, 72 und 92 der Compact Series werden auch als Teil eines Satzes geliefert, in dem ein Norbar-TTi-Drehmomentschraubenschlüssel und ein Transportkoffer enthalten sind. In der folgenden Tabelle wird die Auswahl an verfügbaren Handtorque™-Sätzen im Einzelnen aufgeführt:

Teilenummer des Satzes	Inhalt des Satzes	
	Handtorque™ - Verstärker	Drehmomentschraubenschlüssel
18184	HT-52 (18196)	NUR TTi 45 lbf.ft [ca. 61 Nm] (13684)
18185	HT-52 (18196)	NUR TTi 60 Nm (13682)
18186	HT-52 (18196)	TTi-60-Doppelskala (13680)
18187	HT-52 (18197)	NUR TTi 45 lbf.ft [ca. 61 Nm] (13684)
18188	HT-52 (18197)	NUR TTi 60 Nm (13682)
18189	HT-52 (18197)	TTi-60-Doppelskala (13680)
18190	HT-72 (18198)	NUR TTi 75 lbf.ft [ca. 102 Nm] (13461)
18191	HT-72 (18198)	NUR TTi 100 Nm (13451)
18192	HT-72 (18198)	TTi -100-Doppelskala (13441)
18193	HT-92 (18199)	NUR TTi 150 lbf.ft [ca. 203 Nm] (13463)
18194	HT-92 (18199)	NUR TTi 200 Nm (13453)
18195	HT-92 (18199)	TTi-200-Doppelskala (13443)

Der Handtorque™-Satz hat eine kombinierte Genauigkeit von +/- 6,5 %. Diese erhält man durch eine Kombination der Toleranz von +/- 3 % des TTi-Drehmomentschraubenschlüssels mit der Wälzabweichung des Handtorque™-Getriebes.

HINWEIS: Die Genauigkeit von +/- 6,5 % gilt nur, wenn das Multiplikationsverhältnis auf dem Kalibrierungszertifikat genutzt wird und die Abstützung innerhalb der in Abbildung 6 dargestellten Parameter erfolgt.

Target Output	Applied Input Torque Readings				Measured Output Torque Readings			
	1	2	3	4	1	2	3	4
400.0	16.6	16.5	16.5	16.6	405.0	387.0	384.0	387.0
2400.0	95.90	95.90	98.10	96.90	2314.0	2356.0	2421.0	2390.0
4000.0	160.10	160.10	160.30	160.20	3927.0	3935.0	3943.0	3906.0

Calculated Average Multiplication Ratio: 24.21:1

Tool calibrated in accordance with Norbar test procedure GBA036

Input Transducer Serial Number: 83191 Cert No.: 178171
Output Transducer Serial Number: 62427 Cert No.: 182713 & 182714

ABBILDUNG 7 – Bei der Compact Series mitgeliefertes Kalibrierungszertifikat (für anwendbare Modelle siehe oben).

Drehmoment Zum Schraubenlösen Einstellen

1. Um zu gewährleisten, dass der Vervielfältiger nicht überlastet wird, wird die Verwendung eines Drehmomentschlüssels auch beim Lösen von Schrauben empfohlen.
2. Teilen Sie das maximale Ausgangsdrehmoment durch das „Übersetzungsverhältnis“. Sie erhalten den Höchstwert für das Eingangsdrehmoment.
3. Wählen Sie einen geeigneten Drehmomentschlüssel für das Eingangsdrehmoment.

HINWEIS: BEI EINIGEN DREHMOMENTSCHLÜSSELN IST BEI BETRIEB GEGEN DEN UHRZEIGERSINN KEIN „KLICKEN“ ODER „KNACKEN“ ZU HÖREN.

Vervielfältiger Bedienen

1. Rüsten Sie den Vervielfältiger mit dem für die anzuziehende Schraube korrekten Kraftantrieb bzw. Kraft-Einsatz aus.
2. Stecken Sie den Vervielfältiger so auf die Schraube, dass sich die Abstützvorrichtung neben dem Drehmomentpunkt befindet. Siehe Abbildung 2.
3. Stecken Sie den Drehmomentschlüssel auf den Vervielfältiger mit der Einstellung wie unter „Drehmoment zum Schraubenanzug einstellen“ beschrieben.
4. Betätigen Sie den Drehmomentschlüssel wie gewohnt bis Sie ein „Klicken“ oder „Brechen“ hören. Durch langsame und gleichförmige Verwendung des Drehmomentschlüssels erzielen Sie genauere Ergebnisse.

HINWEIS: FÜR BESSERE GENAUIGKEIT KANN EIN MEßWERTGEBER ZUR MESSUNG DES EINGANGS- UND AUSGANGSDREHMOMENTS VERWENDET WERDEN.

RATSCHEN MIT RÜCKLAUFSPERRE

Zweck Der Ratsche Mit Rücklaufsperr (RAS)

Die meisten Vervielfältiger mit einem Drehmomentverhältnis von 25:1 und mehr sind mit einer Ratsche mit Rücklaufsperr ausgestattet. Der Vervielfältiger funktioniert in diesem Fall als eine Feder, die vollständig gespannt werden muss, bevor ein Anziehen bzw. Lösen von Schrauben möglich ist.

Dank der Ratsche wird gewährleistet, dass die „Feder“ gespannt bleibt und jeder weitere Eingangsdrehmoment direkt auf die Schraube übertragen wird.

Machen Sie sich mit der Funktionsweise des Werkzeugs vertraut, indem Sie ein niedriges Drehmoment anwenden und die aufgebaute Spannung zurückschnellen lassen.

Es gibt zwei verschiedene Arten von Ratschen mit Rücklaufsperr, mit denen der Handtorque™ ausgerüstet sein kann, wie in Abbildung 8 unten gezeigt wird. Die links auf der Seite dargestellte Ratsche mit Rücklaufsperr erfordert einen Sechskantschlüssel, um sie in der neutralen Position festzustellen. Die rechts auf der Seite dargestellte Ratsche mit Rücklaufsperr rastet automatisch in der neutralen Position ein, ohne dass ein Sechskantschlüssel benötigt wird.

Betrieb Der Ratsche Mit Rücklaufsperr

Bitte aufmerksam lesen

1. Positionieren Sie den Richtungswählhebel der Ratsche für die entsprechende Betriebsrichtung:



Rechtsläufiger Betrieb/ Schrauben anziehen



Neutrale Position:

Positionieren Sie den Richtungswählhebel der Ratsche zentral. Je nach Modellart wird für das Einrasten in der Position ein Sechskantschlüssel benötigt. Vergewissern Sie sich vor Inbetriebnahme, dass der Antriebsvierkant in beide Richtung frei rotiert.



Linksläufiger Betrieb/ Schrauben lösen



ABBILDUNG 8

Prüfen Sie die Rotationsrichtung und stellen Sie sicher, dass die Ratsche frei bedient werden kann.



Or CW = Rechtsläufiger



Or CCW = Linksläufiger



Or N = Neutrale



ACHTUNG: VERWENDEN SIE DAS WERKZEUG NICHT, WENN DIE RATSCHEN NICHT FREI BEDIENT WERDEN KANN.

2. Zur Anwendung des Drehmoments beachten Sie die Hinweise im Abschnitt Einstellen und Bedienen des Vervielfältigers. Stellen Sie die Richtung der Ratsche mit Rücklaufsperrung wie in Abbildung 8 dargestellt ein.
3. **Zum Entfernen des Vervielfältigers** bauen Sie vorsichtig Spannung im Getriebe auf bis der Richtungswählhebel der Ratsche in die neutrale Position gestellt werden kann. Lassen Sie den Drehmomentschlüssel langsam linksläufig rotieren bis der Vervielfältiger freigegeben wird.

- 3.1 Spannen Sie die Drehmomentschlüssel

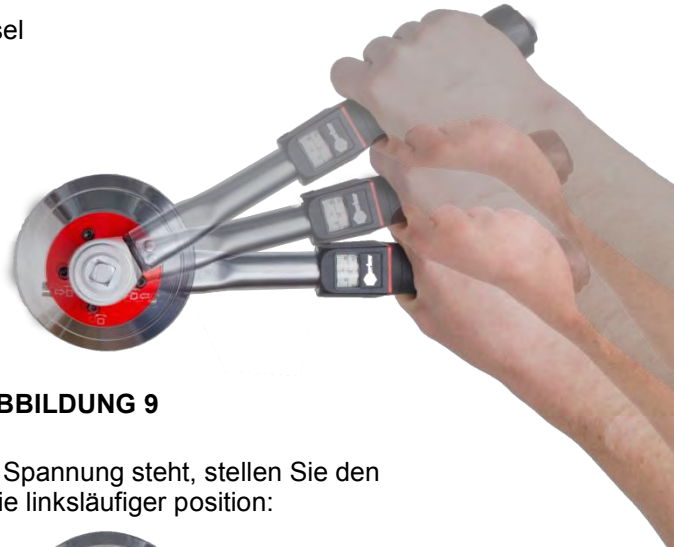


ABBILDUNG 9

- 3.2 Während die Ratsche weiterhin unter Spannung steht, stellen Sie den Richtungswählhebel der Ratsche in die linksläufiger position:



ABBILDUNG 10

- 3.3 Lassen Sie den Drehmomentschlüssel langsam rotieren bis der Vervielfältiger freigegeben wird.



ABBILDUNG 11

Kann die aufgebaute Spannung nicht mit einer Schlüsselumdrehung abgebaut werden, schieben Sie den Richtungswählhebel der Ratsche zurück in die rechtsläufige Richtung und bringen Sie die Ratsche so wieder in Position. Positionieren Sie den Drehmomentschlüssel wieder und gehen Sie gemäß Prozedur Nr. 3 vor bis die aufgebaute Spannung vollständig abgebaut ist.

4. Das Werkzeug kann jetzt von dem Verbindungselement genommen werden.
5. Machen Sie sich mit der Funktionsweise des Werkzeugs vertraut, indem Sie einen niedrigen Drehmoment anwenden und die aufgebaute Spannung zurückschnellen lassen.

Es wird empfohlen, das Rücklaufsperrung-Eingangsgetriebe und die Zähne der Ratsche jährlich durch einen von Norbar zugelassenen Händler auf Verschleiß und Beschädigungen prüfen zu lassen.

WARTUNG

Abtriebsvierkant

Die einzige Wartungsarbeit des Betreibers für diese Handtorque™ Drehmomentvervielfältiger ist das Austauschen der Abtriebsvierkante, sollten diese beschädigt werden. Um das Gerät und Getriebe vor (vor allem durch ein Überdrehen verursachte) Schäden zu schützen, wurde der Abtriebsvierkant/Welle so entwickelt, dass er bei einem Überdrehen abbricht. Somit werden interne Bauteile geschützt, und der Vierkant kann leicht ausgetauscht werden.

In einigen Fällen kann der Antriebsvierkant nicht ohne den Ausbau des Getriebes entfernt werden. In diesen Fällen sollte der handgeführte Drehmomentvervielfältiger zur Reparatur an Norbar oder einen von Norbar zugelassenen Händler geschickt werden.

In einigen Fällen kann der Abtriebsvierkant jedoch ohne den Ausbau des Getriebes ausgetauscht werden. In diesen Fällen muss der Bolzen, der den Abtriebsvierkant an seiner Position hält (Bolzen ist entweder M4 oder M5) entfernt werden.

Entfernen Sie anschließend den gebrochenen/defekten Abtriebsvierkant.

Bauen Sie den neuen Abtriebsvierkant ein.

Setzen Sie einen neuen Bolzen ein und ziehen Sie diesen fest (4,7 N·m für M4-Bolzen und 9 N·m für M5-Bolzen)



ABBILDUNG 12

Alle anderen Wartungs- und Reparaturarbeiten müssen von der Fa. Norbar oder einem beauftragten Händler ausgeführt werden und sind Teil des Kundendienstes. Die Zeitabstände, in denen Wartungsarbeiten notwendig werden, hängen von der Belastung und Betriebsumgebung ab.

Reinigung

Halten Sie das Werkzeug immer sauber, um höchste Sicherheitsstandards zu garantieren. Verwenden Sie keine scheuernden Reinigungsmittel oder Lösungsmittel.

TECHNISCHE DATEN

Standard - Serien

Modell	Teile - Nr	Maximales Ausgabe-Drehmoment		Verhältnis	Eingabe-Vierkant	Ausgabe-Vierkant
		N·m	lbf·ft		zoll	zoll
HT 1/5	16010	1700	1250	5:1	½	¾
HT 2/5	16012	1700	1250	5:1	¾	1
HT 2/25	16034	1700	1250	25:1	¾	1
HT 2/25 AWUR	16089	1700	1250	25:1	¾	1
HT 5/5	16014	3400	2500	5:1	¾	1
HT 5/25	16028	3400	2500	25:1	½	1
HT 5/25 AWUR	16090	3400	2500	25:1	½	1
HT 6/5	16016	3400	2500	5:1	¾	1 ½
HT 6/25	16024	3400	2500	25:1	½	1 ½
HT 6/25 AWUR	16092	3400	2500	25:1	½	1 ½
HT 6/125 AWUR	16093	3400	2500	125:1	½	1 ½
HT 7/5	16067	6000	4425	5:1	¾	1 ½
HT 7/5	16094	6000	4425	5:1	½	1 ½
HT 7/25	16018	6000	4425	25:1	½	1 ½
HT 7/25 AWUR	16065	6000	4425	25:1	½	1 ½
HT 7/25 Small Diameter AWUR	16095	6000	4425	25:1	½	1 ½
HT 7/125	16068	6000	4425	125:1	½	1 ½
HT 7/125 Small Diameter AWUR	16096	6000	4425	125:1	½	1 ½
HT 9/25	16059	9500	7000	25:1	¾	1 ½
HT 9/25 AWUR	16070	9500	7000	25:1	¾	1 ½
HT 9/125 AWUR	16071	9500	7000	125:1	½	1 ½
HT 11/25	16082	20000	14700	25:1	¾	2 ½
HT 11/125 AWUR	16049	20000	14700	125:1	½	2 ½
HT 12/87.5 AWUR	18085	34000	25000	87.5:1	¾	2 ½
HT 13/125 AWUR	16053	47500	35000	125:1	¾	2 ½

Serien Für Kleine Durchmesser

Modell	Teile - Nr	Maximales Ausgabe-Drehmoment		Verhältnis	Eingabe-Vierkant	Ausgabe-Vierkant
		N·m	lbf·ft		zoll	zoll
HT 30/5 AWUR	18002	3000	2200	5:1	¾	1
HT 30/5	18003	3000	2200	5:1	¾	1
HT 30/15 AWUR	18004	3000	2200	15:1	½	1
HT 30/25 AWUR	18006	3000	2200	25:1	½	1
HT 60/25 AWUR	18008	6000	4425	25:1	½	1 ½
HT 60/75 AWUR	18010	6000	4425	75:1	½	1 ½
HT 60/125 AWUR	18012	6000	4425	125:1	½	1 ½

HT4 - Serien

Modell	Teile - Nr	Maximales Ausgabe-Drehmoment		Verhältnis	Eingabe-Vierkant	Ausgabe-Vierkant
		N·m	lbf·ft		zoll	zoll
HT4/15.5	17022	3000	2200	15.5:1	½	1
HT4/26	17021	4500	3300	26:1	½	1

Compact Serien

Modell	Teile - Nr	Maximales Ausgabe-Drehmoment		Verhältnis	Eingabe-Vierkant	Ausgabe-Vierkant
		N·m	lbf·ft		zoll	zoll
HT-52/4.5	18087	1000	740	4.5:1	½	¾
HT-52/4.5	180200	1000	740	4.5:1	½	¾
HT-52/22	18051	1000	740	22:1	⅜	¾
HT-52/22	180201	1000	740	22:1	⅜	¾
HT-52/22	18052	1000	740	22:1	½	¾
HT-52/22	180202	1000	740	22:1	½	¾
HT-52/22 AWUR	18083	1000	740	22:1	⅜	¾
HT-52/22 AWUR	180203	1000	740	22:1	⅜	¾
HT-52/22 AWUR	18084	1000	740	22:1	½	¾
HT-52/22 AWUR	180204	1000	740	22:1	½	¾
HT-52/22 AWUR	18093	1000	740	22:1	⅜	1
HT-52/22 AWUR	180205	1000	740	22:1	⅜	1
HT-52/22 AWUR	18094	1000	740	22:1	½	1
HT-52/22 AWUR	180206	1000	740	22:1	½	1
HT-72/5	18014	1000	740	5:1	½	¾
HT-72/5	180207	1000	740	5:1	½	¾
HT-72/5	18015	1500	1100	5:1	½	1
HT-72/5	180208	1500	1100	5:1	½"	1
HT-72/5	18016	1500	1100	5:1	¾	¾
HT-72/5	180209	1500	1100	5:1	¾	¾
HT-72/5	18017	2000	1450	5:1	¾	1
HT-72/5	180210	2000	1450	5:1	¾	1
HT-72/25	18018	1000	740	25:1	½	¾
HT-72/27	180211	1000	740	27:1	½	¾
HT-72/25	18019	2000	1450	25:1	½	1
HT-72/27	180212	2000	1450	27:1	½	1
HT-72/25 AWUR	18081	1000	740	25:1	½	¾
HT-72/25 AWUR	18082	2000	1450	25:1	½	1
HT-72/27 AWUR	180213	2000	1450	27:1	½	¾
HT-72/27 AWUR	180214	2000	1450	27:1	½	1
HT-92/25 AWUR	18092	4000	2950	25:1	½	1
HT-119/25 AWUR	18091	7000	5100	25:1	½	1 ½
HT-52 (Handtorque™-Satz)	18196	1000	740	22:1	½	¾
HT-52 (Handtorque™-Satz)	18197	1000	740	22:1	½	1
HT-72 (Handtorque™-Satz)	18198	2000	1450	27:1	½	1
HT-92 (Handtorque™-Satz)	18199	4000	2950	25:1	½	1

HINWEIS: Einige der Verhältniszahlen in der oben stehenden Tabelle sind nur eine grobe Orientierungshilfe. Um genauere Ergebnisse zu erhalten, nutzen Sie bitte das Multiplikationsverhältnis auf Ihrem Kalibrierungszertifikat, das mit Ihrem Handtorque™ geliefert wurde (siehe Seite 9)

FEHLERSUCHE

Folgende Tabelle gilt als Orientierungshilfe, kontaktieren Sie bei komplexeren Störungen bitte Ihren Norbar Händler oder Norbar direkt.

Störung	Mögliche Abhilfe
Antriebsvierkant ausgerissen	Siehe Abschnitt Wartung
Antriebsvierkant rotiert, aber nicht der Abtriebsvierkant	Schwerer Schaden der Innenverzahnung! Schicken Sie das Gerät zur Reparatur an Norbar oder deren Händler (Prüfen Sie, dass der RAS-Richtungshebel nicht in neutraler Position ist)
Der Antriebsvierkant rotiert nicht	Prüfen Sie, dass der RAS-Richtungshebel nicht in neutraler Position ist.

NOTES / AUFZEICHNUNGEN

NOTES / AUFZEICHNUNGEN

**NORBAR TORQUE TOOLS LTD**

Beaumont Road, Banbury,
Oxfordshire, OX16 1XJ
UNITED KINGDOM
Tel + 44 (0)1295 270333
Email enquiry@norbar.com

**NORBAR TORQUE TOOLS PTE LTD**

194 Pandan Loop
#07-20 Pantech Business Hub
SINGAPORE 128383
Tel + 65 6841 1371
Email singapore@norbar.com.au

**NORBAR TORQUE TOOLS PTY LTD**

45–47 Raglan Avenue, Edwardstown,
SA 5039
AUSTRALIA
Tel + 61 (0)8 8292 9777
Email enquiry@norbar.com.au

**NORBAR TORQUE TOOLS (SHANGHAI) LTD**

E Building–5F, no. 1618 Yishan Road,
Minhang District, Shanghai
CHINA 201103
Tel + 86 21 6145 0368
Email sales@norbar.com.cn

**NORBAR TORQUE TOOLS INC**

36400 Biltmore Place, Willoughby,
Ohio, 44094
USA
Tel + 1 866 667 2279
Email inquiry@norbar.us

**NORBAR TORQUE TOOLS INDIA PVT. LTD**

Plot No A-168, Khairne Industrial Area,
Thane Belapur Road, Mahape,
Navi Mumbai – 400 709
INDIA
Tel + 91 22 2778 8480
Email enquiry@norbar.in

**NORBAR TORQUE TOOLS (NZ) LTD**

B3/269A Mt Smart Road
Onehunga, Auckland 1061
NEW ZEALAND
Tel + 64 9579 8653
Email nz@norbar.com.au

www.norbar.com