

KIT CONSISTS OF:

- DO111, Door opener tool
- Hand pump, with swivel coupling
- 2 m hose with quick couplings
- Crowbar
- Urethane hammer
- Couplings for convenience
- Carrying case

FEATURES OF THE DO111

- Quick and easy to use
- 105 mm stroke
- 13 ton capacity
- Spring return
- Equipped with a male quick coupling as standard
- Works in any position, horizontal or vertical
- Swivel coupling for greater flexibility



Hydraulic door opener kit **EHR111A - DO111**

The door opener DO111 is the perfect tool for rescue and police where forced entry operations are necessary.

Information

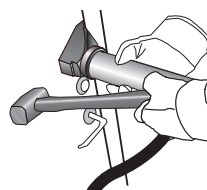


Place the DO111 in position, apply pressure by pumping the hydraulic pump until the door breaks open. The tool can work in any position, horizontal or vertical which makes the DO111 quick and easy to use.

Functionality



The DO111 is provided with a flat surface, which enables the tool to be hammered in to the door slot. Furthermore, it has serrated teeth for holding a steady grip between the door and frame.



Usability

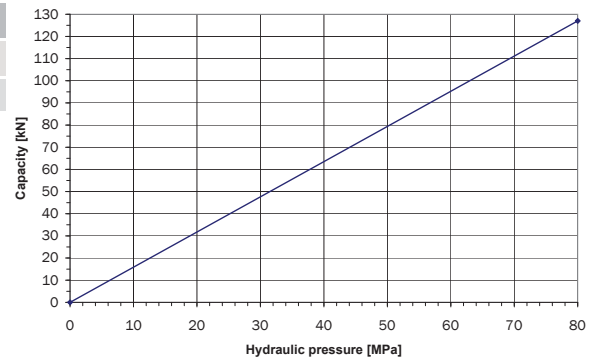


Fields of use where the DO111 is applicable may include:

- Rescue services
- Civil defence
- Emergency aid operations

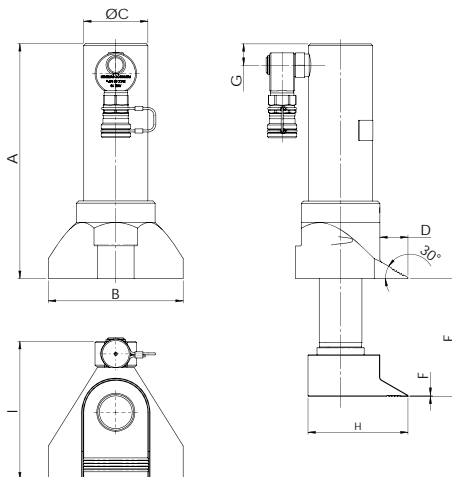
DO111 - PERFORMANCE

Capacity		Max working pressure		Stroke		Stroke volume	
kN	ton	MPa	psi	mm	inch	cm ³	in ³
127	13	80	11603	105	4.13	167	10.19



DO111 - MEASUREMENTS & DATA

A		B		C		D		E		F		G		H		I		Weight	
mm	inch	mm	inch	mm	inch	mm	inch	mm	inch	mm	inch	mm	inch	mm	inch	mm	inch	kg	lbs.
208	8.189	120	4.724	57,1	2.248	25	0.984	105	4.134	1	0.039	19	0.748	89	3.504	100	3.94	4.9	10.8



The swivel coupling is capable of rotating 360° even under pressure which guarantees highest possible flexibility when handling the tool.

PUMP

Hand pump - PHS80-300W



Working pressure: 80 MPa, 800 bar, 11600 psi
 Effective oil volume: 300 cm³, 18.3 in³
 Capacity high pressure: 1 cm³/stroke, 0.1 in³/stroke
 Capacity low pressure: 20 cm³/stroke, 1.2 in³/stroke
 Pump force: 400 N
 Weight: 4,8 kg, 10.6 lbs

In EHR111A, equipped with swivel ASE10 and female quick coupling AQI8-LD



ORDERING INFORMATION

Designation	EHR111A - complete tool kit				
Part number	51152				
Designation	DO111 - Door opener tool	PHS80-300W - Hand pump	Swivel coupling ASE10	Quick coupling female AQI8-LD	Quick coupling male AQU8-D
Part number	44124	44881	37588	45950	45953