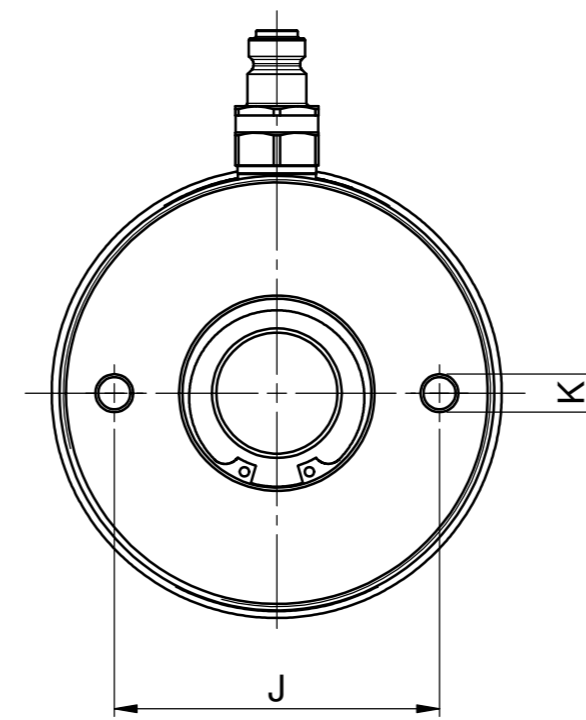
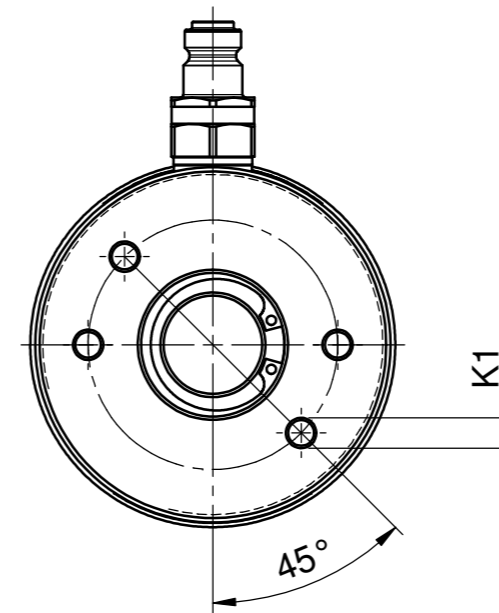


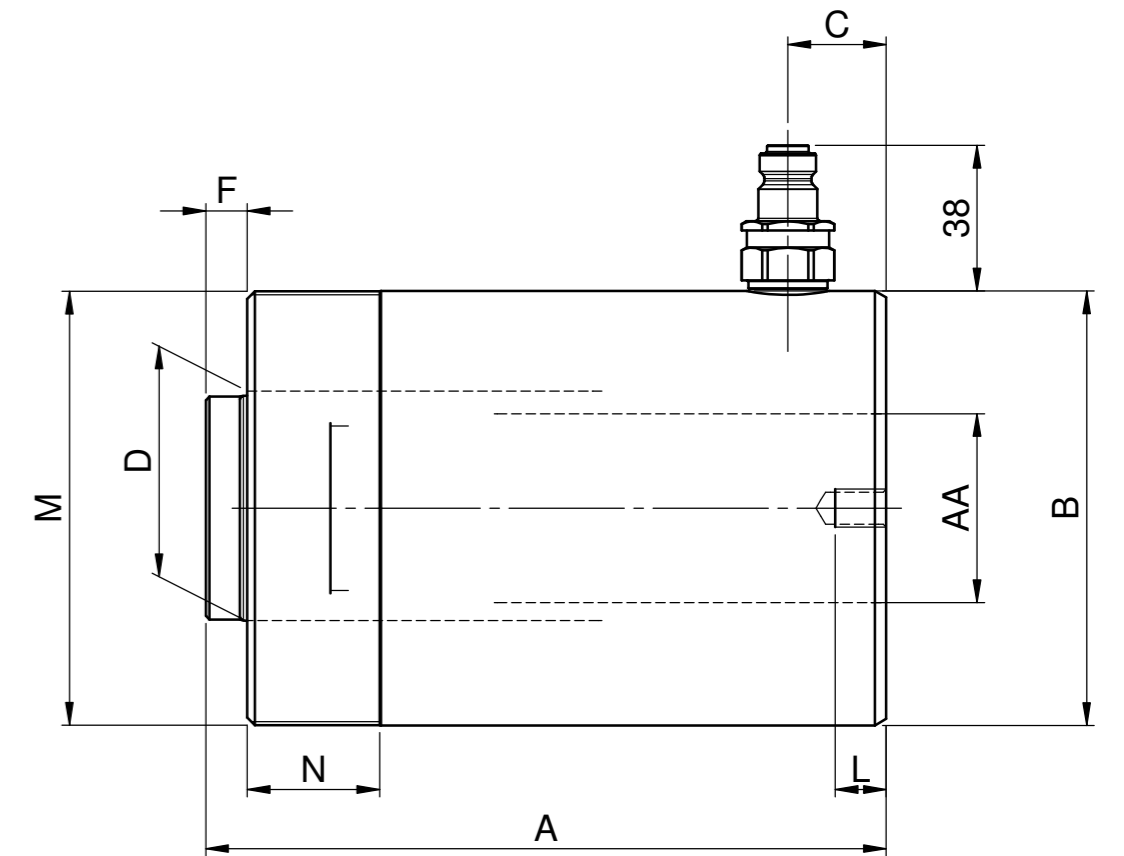
CHFA 67x ; 100x



CHFA 13x ; 26x ; 37x



CHFA 18xA ; 50x



CHFA 50x

Name	Max working pressure MPa	Capacity kN	Stroke mm	Piston area cm ²	Displacement cm ³	A mm	B Ømm	C mm	D Ømm	E Ømm	F mm	G	H mm	J mm	K 2x	K1 2x	L mm	M	N mm	V mm	X mm	AA Ømm	Weight kg
CHFA132	70	123	52	17,6	92	165	80	22	40	39	10	M30x1,5	17	54	M6	---	9	M75x2	35	---	---	22	2,3
CHFA136	70	123	153	17,6	270	310	80	22	40	39	10	M30x1,5	17	54	M6	---	9	M75x2	35	---	---	22	4
CHFA182A	70	176	51	25,1	128	171	94	22	45	45	10	M35x1,5	25	66	M8	M8	10	M90x2	35	---	---	26	3
CHFA184A	70	176	102	25,1	256	246	94	22	45	45	10	M35x1,5	25	66	M8	M8	10	M90x2	35	---	---	26	4
CHFA262	70	255	51	36,4	186	180	115	26	60	59	11	M45x1,5	29	86	M10	---	12	M115x2	35	---	---	32	4,9
CHFA266	70	255	153	36,4	557	323	115	26	60	59	11	M45x1,5	29	86	M10	---	12	M115x2	35	---	---	32	8,7
CHFA372	70	358	51	51,2	261	189	136	28	70	68	12	M50x2	30	105	M10	---	15	M130x2	35	---	---	39	6,9
CHFA376	70	358	153	51,2	784	327	136	28	70	68	12	M50x2	30	105	M10	---	15	M130x2	35	---	---	39	12
CHFA504	70	508	104	72,7	756	276	160	32	80	79	12	M62x1,5	32	130,2	W1/2"	M10	15	---	---	37,5	55	51	14,7
CHFA673	70	659	77	94,2	726	250	185	30	100	98	10	M76x3	36	130	M10	---	15	---	---	27,5	55	54	18
CHFA674	70	659	102	94,2	961	277	185	30	100	98	10	M76x3	36	130	M10	---	15	---	---	63	55	54	19,5
CHFA676	70	659	153	94,2	1442	350	185	30	100	98	10	M76x3	36	130	M10	---	15	---	---	101,5	55	54	25
CHFA1003A	70	1010	77	144,3	1111	290	227	40	120	118	18	M90x2	42	185	M12	---	16	---	---	51,5	55	66	30,2
CHFA1006A	70	1010	153	144,3	2208	397	227	40	120	118	18	M90x2	42	185	M12	---	16	---	---	121,5	55	66	40,6

5

Issue	Change	Position	Date	Sign.
1	Området		05-01-09	MN
2	CHFA504 och K1 tillkom		07-10-12	CS
3	Mått F tillkom		2013-04-30	CS
4	CHFA674 tillkom		2014-11-13	GB
5	CHFA100xA, A tillkom. Mått A, C, V och vikt änd.		2021-06-16	CS

Material	Blank, dimension	Heat treatment	Surface treatment
Permissible deviations for dimensions without indication of tolerances Machined parts acc.SS-ISO-2768-1		Castings acc.SS-ISO-8062	Fuse welded constr. acc.SS-EN ISO 13920
Designed by	Drawn by	Date	Product
-	GB1	2014-11-11	CHFAxxxx Hålcylinder
Prod.appr.	Design appr.	Scale	CHFAxxxx Hollow cylinder
2014-11-13	AN1	1:2	
Title			Replaces
REHOBOT			B-46680
Dimension drawing			Replaced by
			B-46605

DENNA RITNING ÄR REHOBOT AB:s EGENDOM. SKYDDAD ENLIGT GÄLLANDE LAG. THIS DRAWING IS THE PROPERTY OF REHOBOT AB. PROTECTED BY PREVAILING LAW.