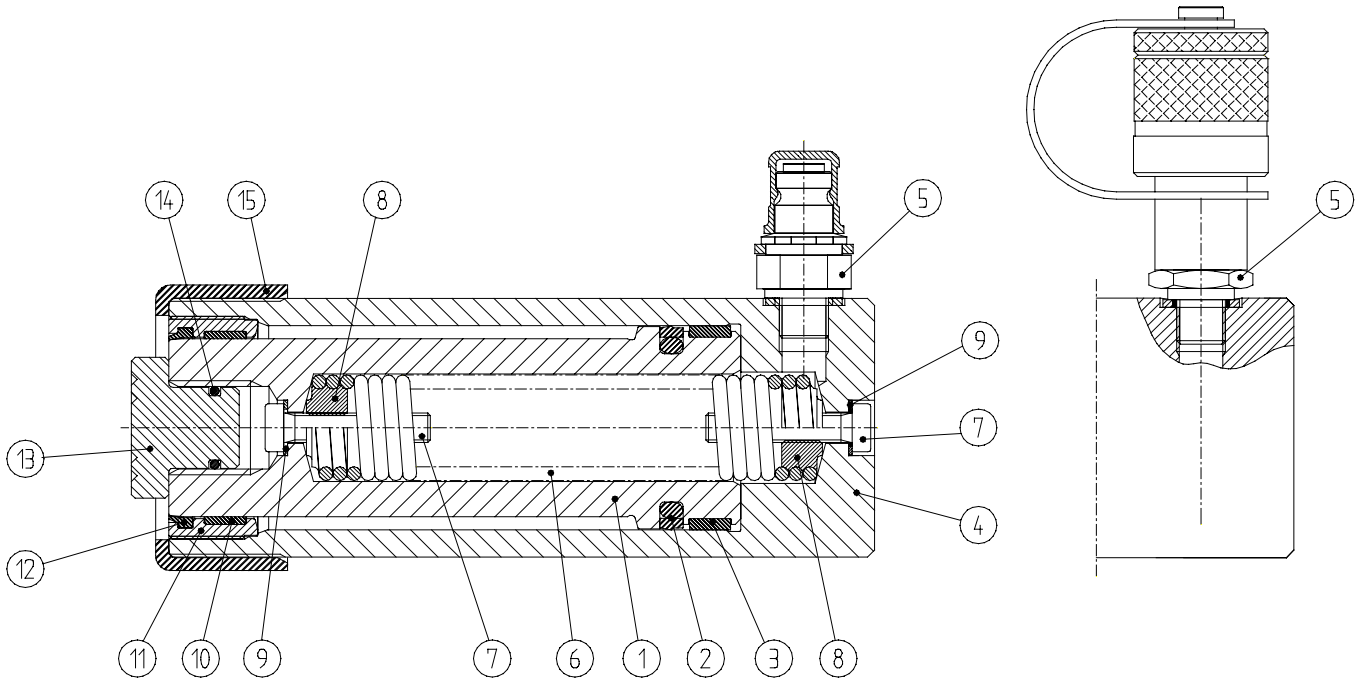


**REHOBOT®**

POWER WITH HYDRAULICS

**CFC151P CFC152P CFC154P**

Ref No	Qty	Benämning	Description	Bezeichnung	Description	Lagerförd Kept in stock Lagergeführt Tenue en stock	Part No	Ej lagerförd Not kept in stock Nicht lagergeführt Ne tenu en stock **	Part No
1	1	Kolv (CFC151)	Piston (CFC151)	Kolben (CFC151)	Piston (CFC151)	402,73			
1	1	Kolv (CFC152)	Piston (CFC152)	Kolben (CFC152)	Piston (CFC152)	402,74			
1	1	Kolv (CFC154)	Piston (CFC154)	Kolben (CFC154)	Piston (CFC154)	402,75			
2	1	Packning	Packing	Dichtung	Joint	*		399,12	
3	1	Styrning	Guide	Führung	Canon	*		399,06	
4	1	Cylinder (CFC151)	Cylinder (CFC151)	Zylinder (CFC151)	Cylindre (CFC151)	402,76			
4	1	Cylinder (CFC152)	Cylinder (CFC152)	Zylinder (CFC152)	Cylindre (CFC152)	402,77			
4	1	Cylinder (CFC154)	Cylinder (CFC154)	Zylinder (CFC154)	Cylindre (CFC154)	402,78			
5	1	Snabbkoppling (TX23)	Quick coupling (TX23)	Schnellkupplung (TX23)	Raccord rapid (TX23)	38815300			
5	1	Snabbkoppling	Quick coupling	Schnellkupplung	Raccord rapid	403,86			
6	1	Fjäder (CFC151)	Spring (CFC151)	Feder (CFC151)	Ressort (CFC151)	402,81			
6	1	Fjäder (CFC152)	Spring (CFC152)	Feder (CFC152)	Ressort (CFC152)	402,82			
6	1	Fjäder (CFC154)	Spring (CFC154)	Feder (CFC154)	Ressort (CFC154)	402,83			
7	2	Skruv	Screw	Schraube	Vis	402,80			
8	2	Fjäderfäste	Spring attachment	Federbefestigung	Attach du ressort	399,05			
9	2	Bricktätning	Packing	Dichtung	Joint	*		15210	
10	1	Styrning	Guide	Führung	Canon	*		402,71	
11	1	Glander	Bushing	Buchse	Bague de palier	402,70			
12	1	Avstrykare	Wiper	Abstreifer	Arracheur	*		399,04	
13	1	Tryckhuvud	Pressure head	Druckkopf	Tête de pression	399,03			
14	1	O-ring	O-ring	O-Ring	Joint	20089			
15	1	Skyddskåpa	Cover	Deckel	Capot	399,97			
		Packningssats	Seal kit	Dichtungssatz	Jeu de joints	405,04			

\* Ingår i packningssats    Included in Seal kit    Im Dichtungssatz    Dans Jeu de joints

\*\* Lev. mot specialorder    Del. on special order    sur commande  
 Begär offert    Request an offer    ile Demandez