

INTELLIGENT TOOL CONNECTIVITY

EBT comes supplied as standard with complimentary PC software "EvoLog" for data management and tool configuration. EBT also offers great flexibility in connection possibilities as it can be interfaced with third party production control software.

Send 'Log Results' in real time

Ability to produce and store real time graphs

Output results in CSV format for users not able to use EvoLog

ATTACHMENTS & ACCESSORIES

A wide range of attachments and accessories make EBT adaptable to suit many applications.

Reaction Plates
A variety of reaction plates and adaptors, together with ancillary feet, blades and heads are available to aid use. Contact Norbar for details

(19363 & 19448*)
Secondary Handle
The secondary handle is an easy to fit and versatile accessory which offers additional support and ease of handling with Norbar's Battery Torque Tools
*Suitable for use with 80 series only

(180280)
Right Angle Gearbox
The Right Angle Gearbox will provide most EBT, ET, PTS™ and PTM tools with a 90° angle of operation, enabling the operator to reach more applications where access is restricted and limited

(60334.EBT)
EBT Battery Pack
A replacement lithium-Ion 18 Volts battery pack for use with the EBT. Two batteries come as standard with kit versions.

(60335.KIT)
EBT Battery Charger
The three bay EBT Battery Charger comes as standard with kit versions but can also be sold seperately if desired

GLOBAL SERVICE

Norbar is the only torque equipment manufacturer capable of offering tool and instrument calibration services to the original factory standard on four continents.

Accredited laboratories in Australia, USA, Singapore, China and India operate the same equipment and procedures as the UKAS accredited laboratory within our headquarters in the UK.

NORBAR TORQUE TOOLS LTD
Wildmere Road, Banbury, Oxfordshire, OX16 3JU
UNITED KINGDOM
Tel + 44 (0)1295 753600
Email sales@norbar.com

NORBAR TORQUE TOOLS
45-47 Raglan Avenue, Edwardstown
SA 5039
AUSTRALIA
Tel + 61 (0)8 8292 9777
Email enquiry@norbar.com.au

NORBAR TORQUE TOOLS INC
36400 Biltmore Place, Willoughby
Ohio 44094
USA
Tel + 1 866 667 2272
Email inquiry@norbar.us

NORBAR TORQUE TOOLS PTE LTD
194 Pandan Loop, #07-20 Pantech Business Hub
SINGAPORE 128383
Tel + 65 6841 1371
Email enquires@norbar.sg

NORBAR TORQUE TOOLS (SHANGHAI) LTD
91 Builidng- 7F, No. 1122, North Qinzhou Road
Xuhui District, Shanghai
CHINA 201103
Tel + 86 21 6145 0368
Email sales@norbar.com.cn

NORBAR TORQUE TOOLS INDIA PVT. LTD
Plot No A – 168 Khairne Industrial Area
Thane Belapur Road
Mahape Navi Mumbai – 400 709
INDIA
Tel + 91 22 2778 8480
Email enquiry@norbar.in

www.norbar.com



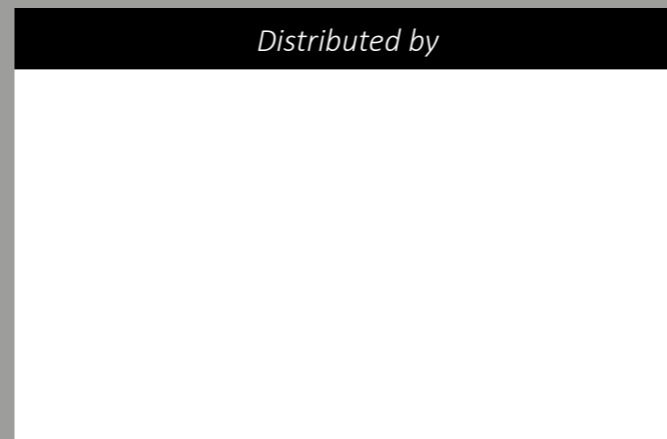
NORBAR PRODUCT PORTFOLIO

- Torque Screwdrivers
- Torque Wrenches
- Electronic Torque Wrenches
- Manual Torque Multipliers
- Pneumatic Torque Tools
- Electronic Torque Tools
- Battery Torque Tools
- Torque Measurement Instruments
- Torque Transducers
- Ultrasonic Bolt Measurement
- Calibration Services

Let's Talk

The live chat feature can be found at the bottom right of any page on our website

Distributed by



EVOTORQUE® BATTERY TOOL

DRIVEN BY TECHNOLOGY, POWERED BY BATTERY,
READY FOR INDUSTRY



THE EVOTORQUE® BATTERY TOOL (EBT) FEATURES A NEW BRUSHLESS MOTOR, DATA MEMORY AND DATA TRANSFER CAPABILITIES. NORBAR HAVE COMBINED THIS WITH THEIR RESPECTED GEARBOXES TO DELIVER A RANGE OF FAST, RELIABLE AND ACCURATE BATTERY TORQUE TOOLS.

- Fast:** EBT uses a powerful motor coupled with either a single speed or auto two speed gearbox for rapid joint completion times.
- Durable:** The industrial motor used by the EBT will keep going where most other battery tools will overheat.
- Accurate:** EBT is a transducer controlled battery powered torque tool designed for accurately applying torque to threaded fasteners. The unique 'intelligent joint sensing' technology continually measures the joint during tightening and when necessary, employs dynamic braking to avoid torque over-shoot due to motor inertia, consistently achieving highly accurate results of up to ±3% of setting.



KEY FEATURES

- Tool is not constrained by power cable or hose, improving safety, convenience and versatility
- Multiple units of torque measurement, including N-m, lbf-ft and kgf-m
- Torque, Torque & Angle and Torque Audit modes available
- 'Torque Only' mode provides the user with 'Ease of Use' functionality aiding tool familiarity
- Display and on-board storage of final torque or torque and angle values
- 3,000 reading memory, time and date stamped
- Clear indication of successful joint application
- USB and Bluetooth® 4.0 data transfer (also called Bluetooth® Smart)
- Complimentary PC software 'EvoLog' for data management and tool configuration
- 12 user IDs can be downloaded to the tool and results can be stored against individual users
- 20 unique stand-alone targets plus 20 unique work group targets for each work group
- Results can be output in CSV (comma-separated values) format for users not able to use EvoLog
- Ability to produce and store real time graphs via EvoLog
- 'Usage' counter gives the ability to see the amount of times the tool has been used since the last reset
- 'Operation Direction' feature designed primarily for undoing bolts. When doing sequence tightening, it is possible to undo an incorrectly tightened bolt without interrupting the sequence.
- 'Turn Angle' option can be used to check if bolts have already been tightened in an assembly process
- Allows tool integration into third party control systems
- Maximum Audit Mode target angle (720°)
- Traceable calibration certificate for torque & angle provided as standard
- Available in single speed ideal for torque with angle control
- Auto two speed configurations available for rapid joint completion

The square drive is quickly and easily replaceable

Robust steel reaction supplied as standard

Bespoke reactions available on request

Handle and trigger designed for optimum comfort

18V, 5.0Ah battery and efficient motor give outstanding fastening performance per charge

High powered LED to illuminate application

OLED display ensures visibility in all conditions
Key Lock feature prevents unauthorised usage

Tried and tested gearbox design, reliable and proven over more than a decade

Accuracy up to ±3%

Brushless motor for low maintenance

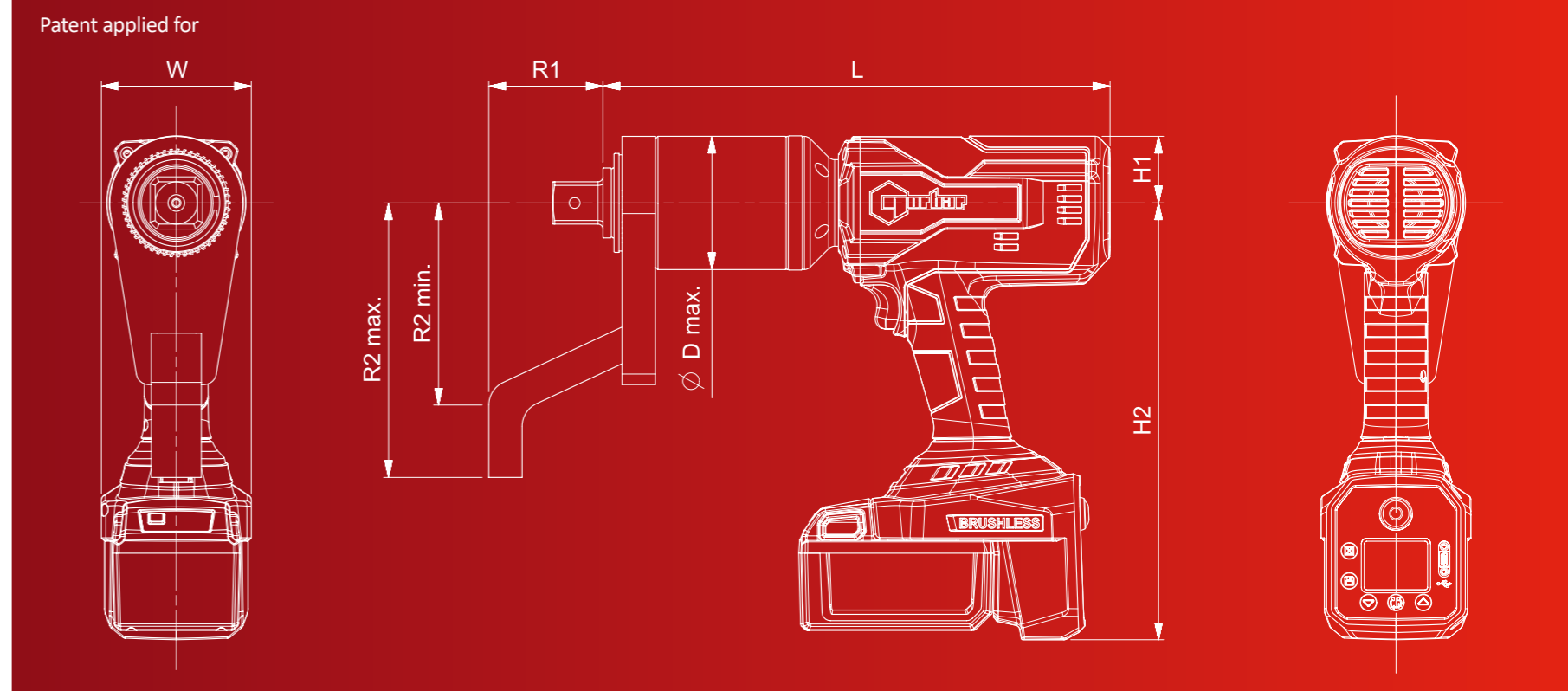
180541 EBT
2,700 N-m Kit



EBT-72 Series

EBT-80 Series

EBT-92 Series



KIT PART NUMBER	BARE PART NUMBER	MODEL	SQUARE DRIVE	CALIBRATED RANGE		DIMENSIONS (mm)								TOOL WEIGHT (kg) *	REACTION WEIGHT (kg)	OUTPUT SPEED (rpm)
				N-m	lbf-ft	ØD max	H1	H2	L	R1	R2 min	R2 max	W			
180445	180446	EBT-72-1350	½" & 1"	200 - 1,350	150 - 1,000	72	40	262	298	76	124	167	90	5.7	1.4	6.5
180469	180470	EBT-72-1350 Auto 2 Speed	½" & 1"	338 - 1,350	250 - 1,000	72	40	262	317	76	124	167	90	5.9	1.4	32
180541	180542	EBT-80-2700	1"	400 - 2,700	295 - 2,000	80	40	262	298	76	124	167	90	5.9	1.4	3.3
180565	180566	EBT-80-2700 Auto 2 Speed	1"	676 - 2,700	499 - 2,000	80	40	262	333	76	124	167	90	6.8	1.4	13
180637	180638	EBT-92-4000	1"	800 - 4,000	590 - 2,950	92	40	262	352	70	125	175	90	7.9	2.5	2.3
180661	180662	EBT-92-4000 Auto 2 Speed	1"	1,000 - 4,000	738 - 2,950	92	40	262	387	70	125	175	90	8.3	2.5	9.5

NOTE: Kit versions come with tool, 2 batteries, charger and a secondary handle in a carry case. Bare tools come without batteries, charger or a secondary handle in a cardboard box.
* Tool weight excludes both reaction and battery. The battery weighs 0.8 kg.