

MD-S280 INTELLIGENT DIGITAL PRESSURE GAUGE

TECHNICAL CHARACTERISTICS:

- ✓ 4 digit LCD showing the pressure accurately in real time
- ✓ Different pressure units to choose, zero clearing, backlight, on/off
- ✓ Battery-powered, low-power design keeping working for 12 months
- ✓ High-precision pressure sensor, the highest accuracy to 0.4%FS,0.2%FS
- ✓ Pressure percentage display



This gauge is a high-precision and intelligent digital pressure gauge. It has a high-precision sensor and display the pressure accurately in real time, equipped with a large size LCD. It has a various of features, such as zero clearing, backlight, on/off button, units, low voltage alarm. And it is convenient to install and easy to operate.

The surface and connector of the product is 304SS. It can be used to measure gas, liquid, oil and other non-corrosive mediums of stainless steel. It applies to these fields: portable pressure measurement, equipment supporting, equipment calibrations.

APPLICATION:

- ◇ Machinery and electronic industry
- ◇ Supporting equipments of instruments
- ◇ Pressure laboratory
- ◇ Mechanical engineering automation
- ◇ Replacement of pointer pressure gauge

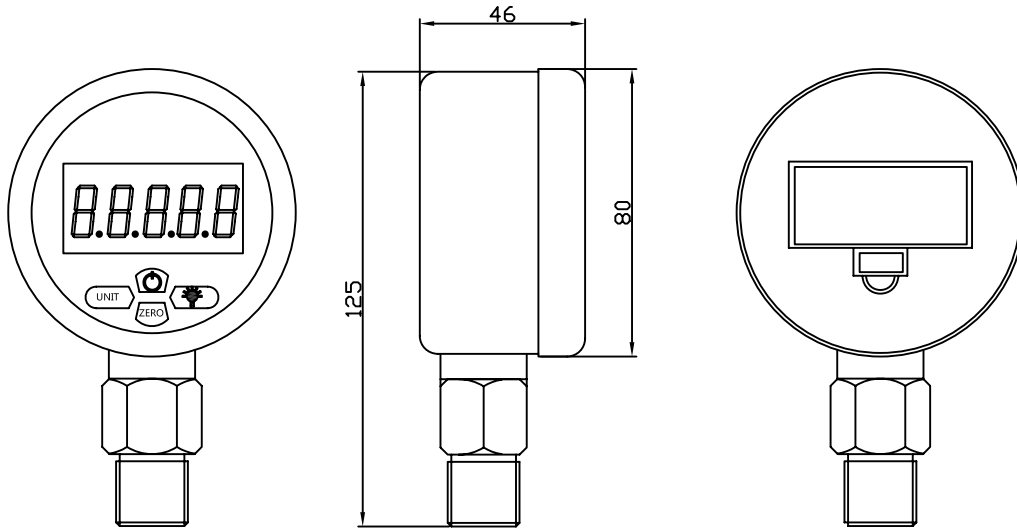
SPECIFICATION:

Range	Micropressure : (6...10...25) kPa Medium Voltage : (0.4...0.6...4) MPa High Pressure : (6...10...25) MPa Ultra High Pressure : (40...60...160) MPa Compound Range : (-5~5...10...-100~1000) kPa Absolute Pressure : (0~100...250...1000) kPa Differential Pressure : (0~10...25...40...60...100...250...400...600) kPa (0~1...1.6) MPa
Overload Capacity	150% ;
Backlight Color	White
Dial Size	80mm
Acc.	0.2%FS 0.4%FS
Long-term Stability	Typical: ± 0.2%FS/year
Operating Temperature	-5~40°C (customized product used to measure high-temperature)
Compensation Temperature	0 ~ 40°C
Electric Protection	En61326
Sampling Frequency	5 Times/sec
Measurement Medium	Gas, liquid
Connection	M20*1.5 or screw customized
Connection Material	304SS
Shell Material	Stainless Steel (some are engineering plastics)
Function	On/off, zero clearing, units changing, backlight, calibration
Power Supply	2 AAA batteries
IP rating	IP50 (IP54with protection sleeve)



SIZE:

UNIT:mm


SELECTION GUIDE:
MD-S280 E - P - 1M-1 - P2 - M20-T1-L
Model:
S280(80mm)

Installation mode :
E(Radial Installation)
Z(Axial Installation)

Feature:
X(Normal)
P(Homogeneous Membrane)
DP(Differential Pressure)
KF(Clamp) DN(Flange)

Range:
X k (0-X kPa)
X b(0-X bar)
X M(0-XMPa)

Accuracy:
1 (0.4%) 2(0.2%)

Addition:

 L(Display)
I(Explosion-proof)

Medium temperature::

 T0 (-5~40°C)
T9 (Customized)

Connection:

 M20(M20*1.5) G14(G1/4)
G12(G1/2) N12(NPT1/2)
N14(NPT1/4) ZG14(ZG1/4)
M9(Customized)

Power supply :

P0(3V) P2(24V)

