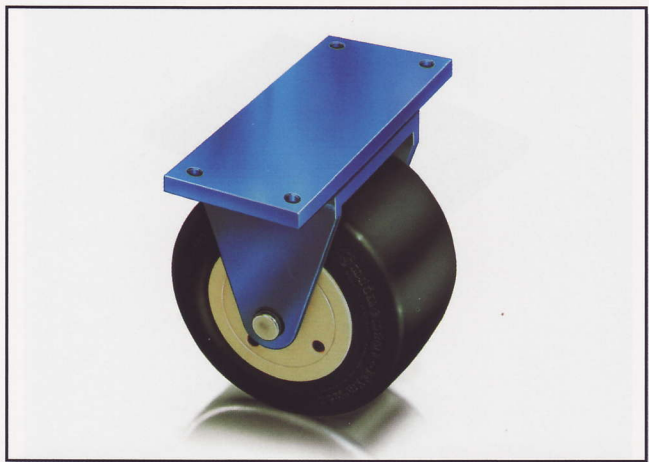


Heavy Duty Wheels

Model SF ... G



Range of application:
 ■ For quiet running, which doesn't damage the ground.

Model SF ... G

Mod.		a	b	c	Ø d1	Ø e	f	g	h	j	k	Suitable castors	Carrying capacity (kN)	Weight (kg)
Rubber														
SF 250 G		300	150	260	250	14	115	15	330	130	175	SD	10	23.0
SF 265 G		300	150	260	265	14	115	15	345	160	205	SD	15	25.0

Model SD ... G

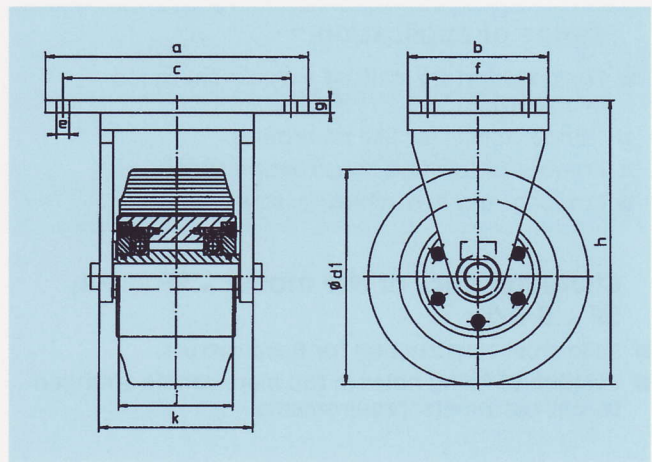


Range of application:
 ■ For quiet running, which doesn't damage the ground.

Model SD ... G

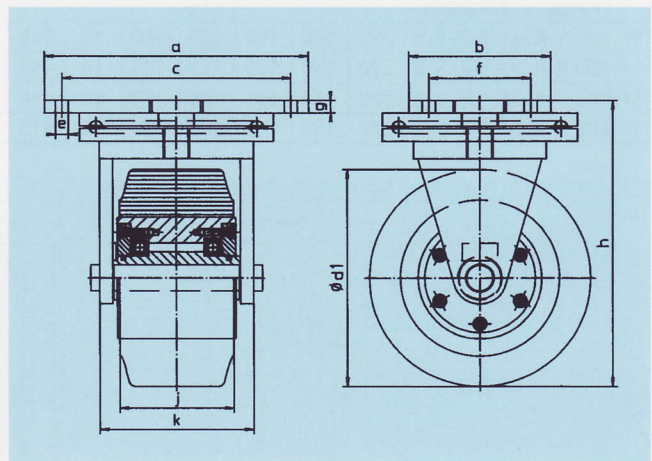
Mod.		a	b	c	Ø d1	Ø e	f	g	h	j	k	Suitable castors	Carrying capacity (kN)	Weight (kg)
Rubber														
SD 250 G		300	150	260	250	14	115	15	330	130	175	SF	10	29.0
SD 265 G		300	150	260	265	14	115	15	345	160	205	SF	15	31.0

■ Fixed castors – Drawing No. R9



Characteristics of the model SF ... G:
 ■ Fixed castor with rubber tyre.

■ Guidable swivel rollers – Drawing No. R10



Characteristics of the model SD ... G:
 ■ Swivel castor with rubber tyre.