

**PRESSURE GAUGES**

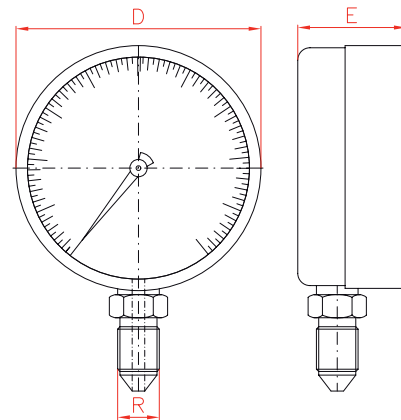


**PRESSURE GAUGES**  
**AV - AVD**  
**AT - AY**  
**5-250 Tn.**  
**0-1.000 bar**

ACCESSORIES

**LARZEP advantages**

- High accuracy gauges,  $\pm 1.6\%$  full scale.
- Essential for monitoring working pressure or force.
- Available as system pressure gauges or as dual scale gauges to measure load on specific cylinders.
- Glycerine filled gauges.
- Gauge adaptor AZ1502 for AV10006. For all other gauges use AZ1501 gauge adaptor.



NOTE: Do not exceed the 70% of the nominal capacity of the gauge.



**Digital pressure gauge:**  
**Reference: AVD07008.**  
**Thread: 1/4"-BSP.**  
**Gauge adaptor: AZ1507.**

Used with	Model	Type		Scale	D	E	R	Gauge Adaptor
	LARZEP	Tn	kg/cm <sup>2</sup>		mm	mm		
All Cylinders	AV10006	-	700	50	68	31	1/4"-NPT	AZ1502
	AV10008	-	700	20	80	35	3/8"-BSP	AZ1501
	AV10010	-	700	10	100	35	3/8"-BSP	AZ1501
Cylinders	AT00410	5 / 10	700	-	100	35	3/8"-BSP	AZ1501
	AT03010	30 / 50	700	-	100	35	3/8"-BSP	AZ1501
	AT07510	75 / 100	700	-	100	35	3/8"-BSP	AZ1501
	AT15010	150 / 200	700	-	100	35	3/8"-BSP	AZ1501
Press 10 Tn	AY01008	10	-	0,5	80	35	3/8"-BSP	AZ1501
Press 20 Tn	AT01610	16 / 23	700	-	100	35	3/8"-BSP	AZ1501
Press 30 Tn	AY03008	30	-	2	80	35	3/8"-BSP	AZ1501
Press 60 Tn	AY06010	60	-	2	100	35	3/8"-BSP	AZ1501
Press 120 Tn	AY12010	120	-	4	100	35	3/8"-BSP	AZ1501
Press 250 Tn	AY25010	250	-	5	100	35	3/8"-BSP	AZ1501