



HANPU

HANPU ELECTRIC WRENCH CATALOGUE

>> > >>>



BRIEF INTRODUCTION

Shandong HANPU Machinery Industrial Co., Ltd was founded in 2005 and located in High-tech zone, Qihe Shandong Province, China. We pride ourselves on our ability to meet the most challenging technical, quality and logistical demand of our clients.

We have administration department, production department, financial department, sales department and a skillful research team, perfect service system and internationalization analysis system.

We will provide high quality products and good services. We strive to meet your demands in with inexpensive and modest products. Contact us for how we can supply and assist you.





ELECTRIC SHEAR WRENCH



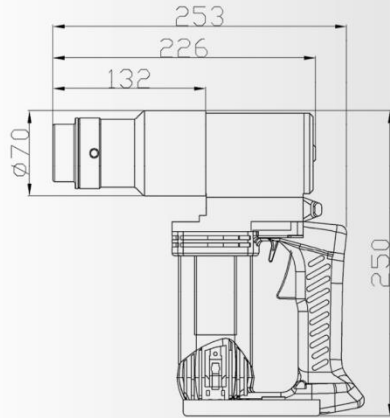


ELECTRIC SHEAR WRENCH -LW SERIES

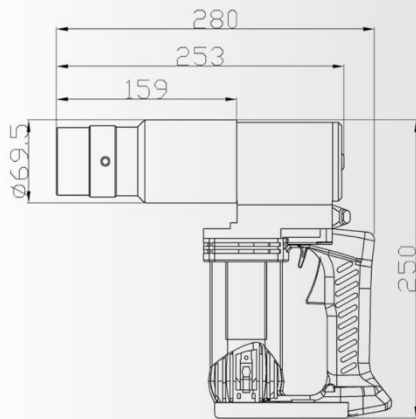


CHARACTERISTICS

Light weight,smallest volume on same level shear wrench.
Adapt well to narrow space,comfortable to operate.



ELECTRIC SHEAR WRENCH -LW SERIES **S-20LW**



ELECTRIC SHEAR WRENCH -LW SERIES **S-24LW**

MODEL	FREQ	VOLTAGE	MAX CURRENT	MAX POWER CONSUMPTION	MAX TORQUE	RO SPEED (min-1)	WEIGHT (MAIN BODY)	PROTECT CLASS	ADAPTABLE BOLTS DIA		
									S-10T	A325	A490
S-20LW	50-60Hz	230V 115V	8A 16A	1800W	640N.m	28rpm	4.9KG	Double Insulation	M12	1/2"	5/8"
									M16	5/8"	3/4"
									M20	3/4"	3/4"
S-24LW	50-60Hz	230V 115V	8A 16A	1800W	1200N.m	15rpm	5.5KG	Double Insulation	M16	5/8"	5/8"
									M20	3/4"	3/4"
									M22	7/8"	7/8"
									M24	1"	7/8"

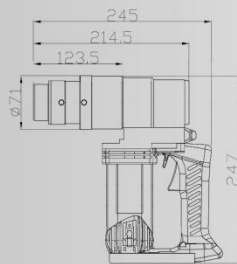
Each wrench provide 2 sockets,one of them will be set on the wrench.



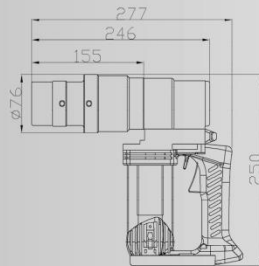
ELECTRIC SHEAR WRENCH -LP SERIES

CHARACTERISTICS

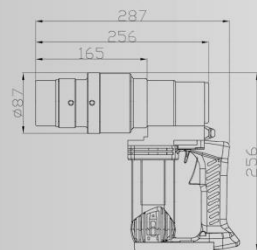
Light weight, smallest volume on same level shear wrench.
High strength, can tight higher strength bolt, like A490.



ELECTRIC SHEAR WRENCH -LP SERIES **S-22LP**



ELECTRIC SHEAR WRENCH -LP SERIES **S-24LP**



ELECTRIC SHEAR WRENCH -LP SERIES **S-30LP**

MODEL	FREQ	VOLTAGE	MAX CURRENT	MAX POWER CONSUMPTION	MAX TORQUE	RO SPEED (min-1)	WEIGHT (MAIN BODY)	PROTECT CLASS	ADAPTABLE BOLTS DIA		
									S-10T	A325	A490
S-22LP	50-60Hz	230V 115V	8A 16A	1800W	900N.m	20rpm	5KG	Double Insulation	M16 M20 M22	5/8" 3/4" 7/8"	5/8" 3/4" 7/8"
S-24LP	50-60Hz	230V 115V	8A 16A	1800W	1200N.m	9rpm	5.5KG	Double Insulation	M16 M20 M22 M24	5/8" 3/4" 7/8" 1"	5/8" 3/4" 7/8" 1"
S-30LP	50-60Hz	230V 115V	8A 16A	1800W	2100N.m	6rpm	6.6KG	Double Insulation	M24 M27 M30	1" 1-1/8" 1-1/4"	1" 1-1/8" 1-1/8"

Each wrench provide 2 sockets, one of them will be set on the wrench.

>> > >>> WWW.HANPUTOOL.COM

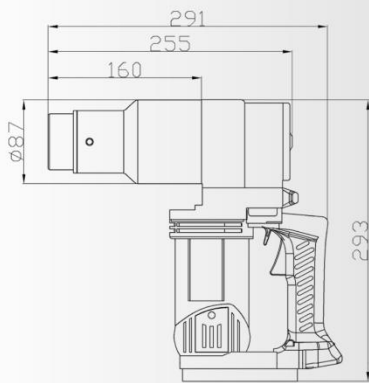


ELECTRIC SHEAR WRENCH -EP SERIES

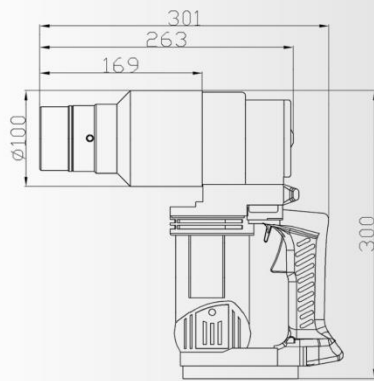


CHARACTERISTICS

High strength, suitable for super high strength bolt tightening.
High efficient, fast rotate speed, high torsion.



ELECTRIC SHEAR WRENCH -EP SERIES **S-24EP**



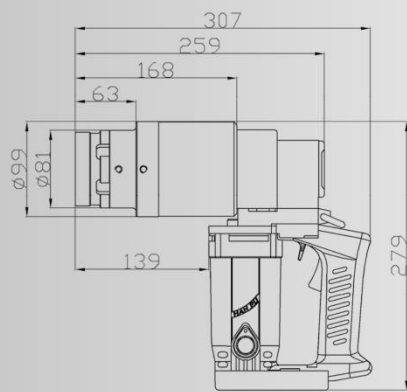
ELECTRIC SHEAR WRENCH -EP SERIES **S-27EP**

MODEL	FREQ	VOLTAGE	MAX CURRENT	MAX POWER CONSUMPTION	MAX TORQUE	RO SPEED (min-1)	WEIGHT (MAIN BODY)	PROTECT CLASS	ADAPTABLE BOLTS DIA		
									S-10T	A325	A490
S-24EP	50-60Hz	230V 115V	10A 20A	2200W	1200N.m	19rpm	7.2KG	Double Insulation	M16	5/8"	5/8"
									M20	3/4"	3/4"
									M22	7/8"	7/8"
									M24	1"	1"
S-27EP	50-60Hz	230V 115V	10A 20A	2200W	1700N.m	17rpm	8.1KG	Double Insulation	M16	5/8"	5/8"
									M20	3/4"	3/4"
									M22	7/8"	7/8"
									M24	1"	1"
									M27	1-1/8"	1-1/8"

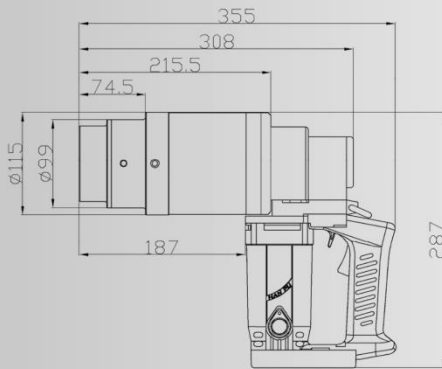
Each wrench provide 2 sockets,one of them will be set on the wrench.



ELECTRIC SHEAR WRENCH



ELECTRIC SHEAR WRENCH **S-30G**



ELECTRIC SHEAR WRENCH **S-36G**

MODEL	FREQ	VOLTAGE	MAX CURRENT	MAX POWER CONSUMPTION	MAX TORQUE	RO SPEED (min-1)	WEIGHT (MAIN BODY)	PROTECT CLASS	ADAPTABLE BOLTS DIA	
									S-10T	A325
S-30G	50-60Hz	230V 115V	12A 24A	2800W	2500N.m	5rpm	8.7KG	Double Insulation	M24 M27 M30	1" 1-1/8" 1-1/4"
S-36G	50-60Hz	230V 115V	12A 24A	2800W	3500N.m	2.5rpm	12.5KG	Double Insulation	M30 M33 M36	1-1/4" 1-3/8" 1-1/2"

Each wrench provide 2 sockets, one of them will be set on the wrench.

>> > >>> WWW.HANPUTOOL.COM

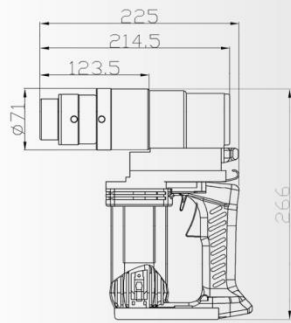
05

INDEXABLE ELECTRIC SHEAR WRENCH

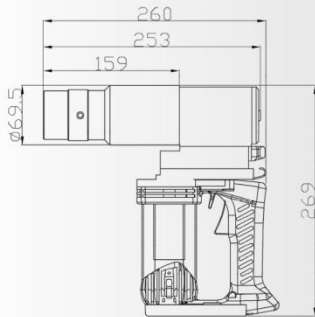


CHARACTERISTICS

Can rotate 4 different angles, easily adapt to special space.



INDEXABLE ELECTRIC SHEAR WRENCH **SR-22LP**



INDEXABLE ELECTRIC SHEAR WRENCH **SR-24LW**

ROTATE ANGLES



0/360°



90°



180°



270°

MODEL	FREQ	VOLTAGE	MAX CURRENT	MAX POWER CONSUMPTION	MAX TORQUE	RO SPEED (min-1)	WEIGHT (MAIN BODY)	PROTECT CLASS	ADAPTABLE BOLTS DIA	
									S-10T	A325
SR-22LP	50-60Hz	230V 115V	8A 16A	1800W	900N.m	20rpm	5.6KG	Double Insulation	M16 M20 M22	5/8" 3/4" 7/8"
SR-24LW	50-60Hz	230V 115V	8A 16A	1800W	1200N.m	15rpm	6.1KG	Double Insulation	M16 M20 M22 M24	5/8" 3/4" 7/8" 1"

Each wrench provide 2 sockets,one of them will be set on the wrench.



CORNER TYPE ELECTRIC SHEAR WRENCH

CHARACTERISTICS

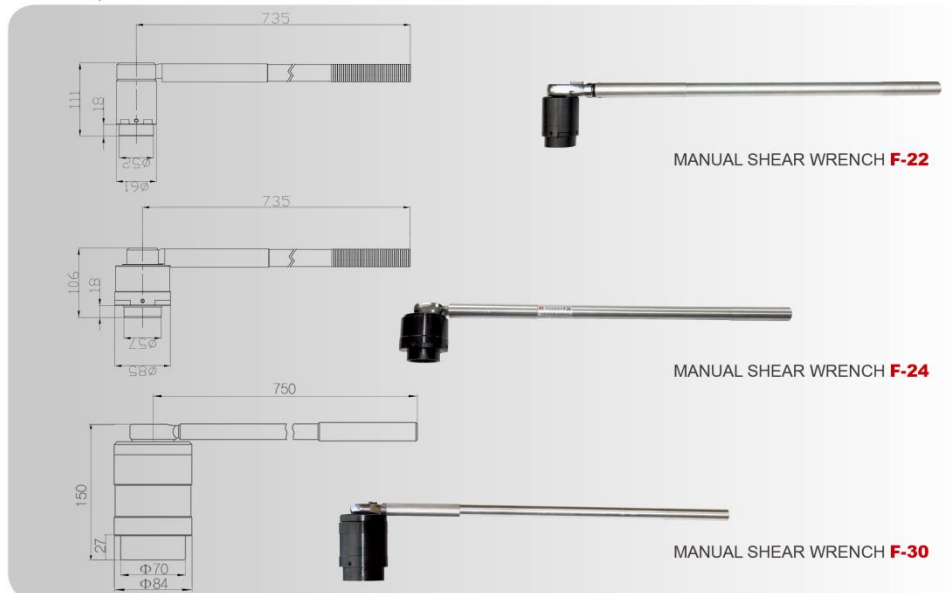
Special corner design, perfect for narrow space work.



CORNER TYPE ELECTRIC SHEAR WRENCH **SC-24B**

MODEL	SC-24B	
VOLTAGE	230V/115V	
MAX CURRENT	10A/20A	
MAX POWER CONSUMPTION	2200W	
FREQUENCY	50-60HZ	
MAX.TORQUE	900N.m	
RO SPEED (min-1)	6rpm	
WEIGHT (MAIN BODY)	6KG	
ADAPTABLE BOLTS DIA	S-10T	M16 M20 M22 M24
	A325	5/8" 3/4" 7/8" 1"

Each wrench provide 2 sockets,one of them will be set on the wrench.



MANUAL SHEAR WRENCH **F-22**

MANUAL SHEAR WRENCH **F-24**

MANUAL SHEAR WRENCH **F-30**

MODEL	MAX TORQUE	WEIGHT	ADAPTABLE BOLTS DIA			
			S-10T		A325	
F-22	700N.m	2.62KG	M12 M16	1/2" 5/8"		
F-24	900N.m	3.18KG	M20 M22	3/4" 7/8"		
F-30	2100N.m	4.62KG	M16 M20	5/8" 3/4"		
			M22 M24	7/8" 1"		
			M24 M27 M30	1" 1-1/8" 1-1/4"		

Each wrench provide 2 sockets,one of them will be set on the wrench.

>> > >>> WWW.HANPUTOOL.COM