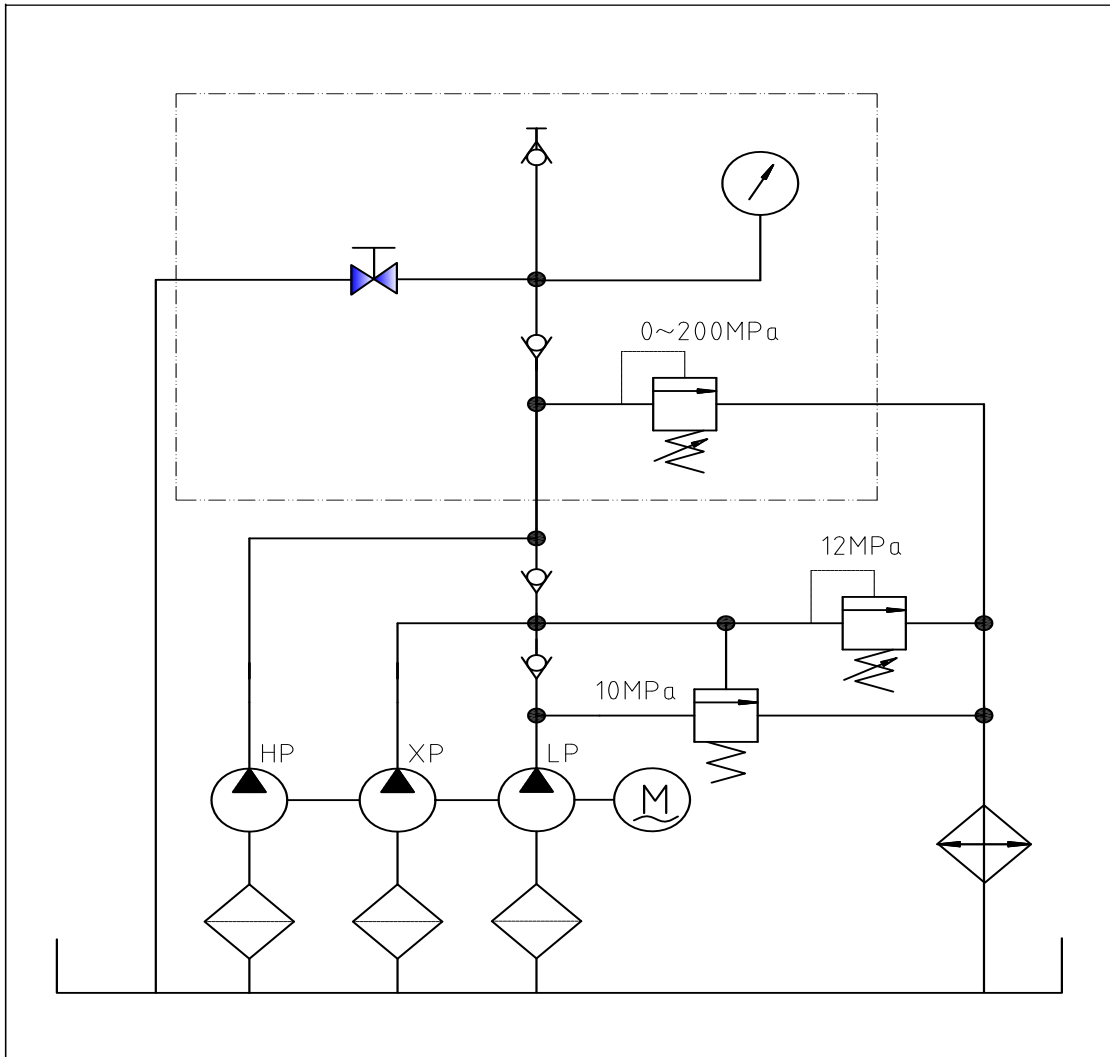


Hydraulic Principium



Warning for using high pressure hose

1. Please use Wren's JH series high pressure hoses.
2. The minimum bending radius: $R > 120\text{mm}$. Too small bending radius will destroy the high pressure hoses.
3. The maximum operating pressure is 1800bar, it is forbidden to overpass the pressure.
4. Do not tighten hoses excessively. Over tightening can cause to premature thread failure or high pressure fittings to split at a pressure lower than their rated capacities.
5. Do not use the hose to remove attached equipment. Stress can damage the hose, causing personal injury.
6. Do not subject the hose to potential hazard such as fire, sharp surfaces, extreme heat or cold or heavy impact. Do not kink, twist, or bend the hose so tightly that oil flowing in the hose is blocked or reduced. Periodically inspect the hose for wearing, because any of these conditions can damage the hose.
7. Should any hydraulic hose rupture, burst, or need to be disconnected, immediately shut off the pump. Never attempt to grasp a leaking pressurized hose with your hands. The force of escaping hydraulic fluid could cause serious injury.