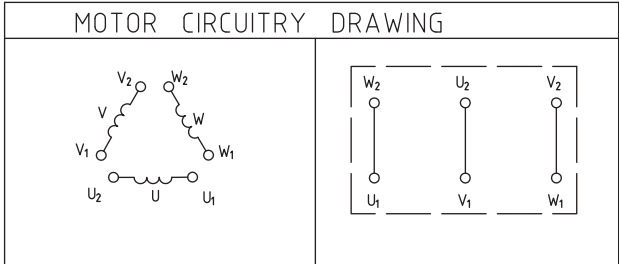
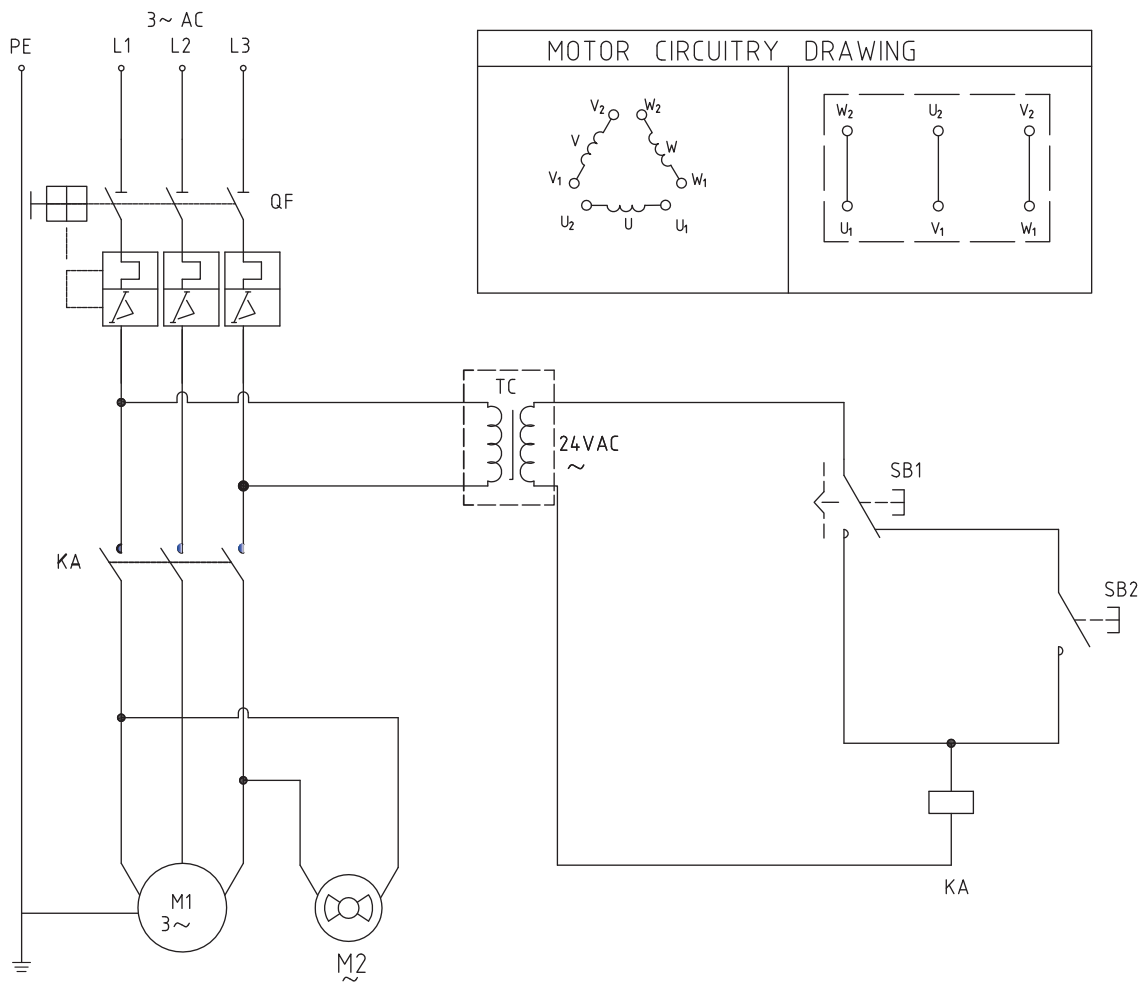


Electronic Principium (Three Phase 220V)

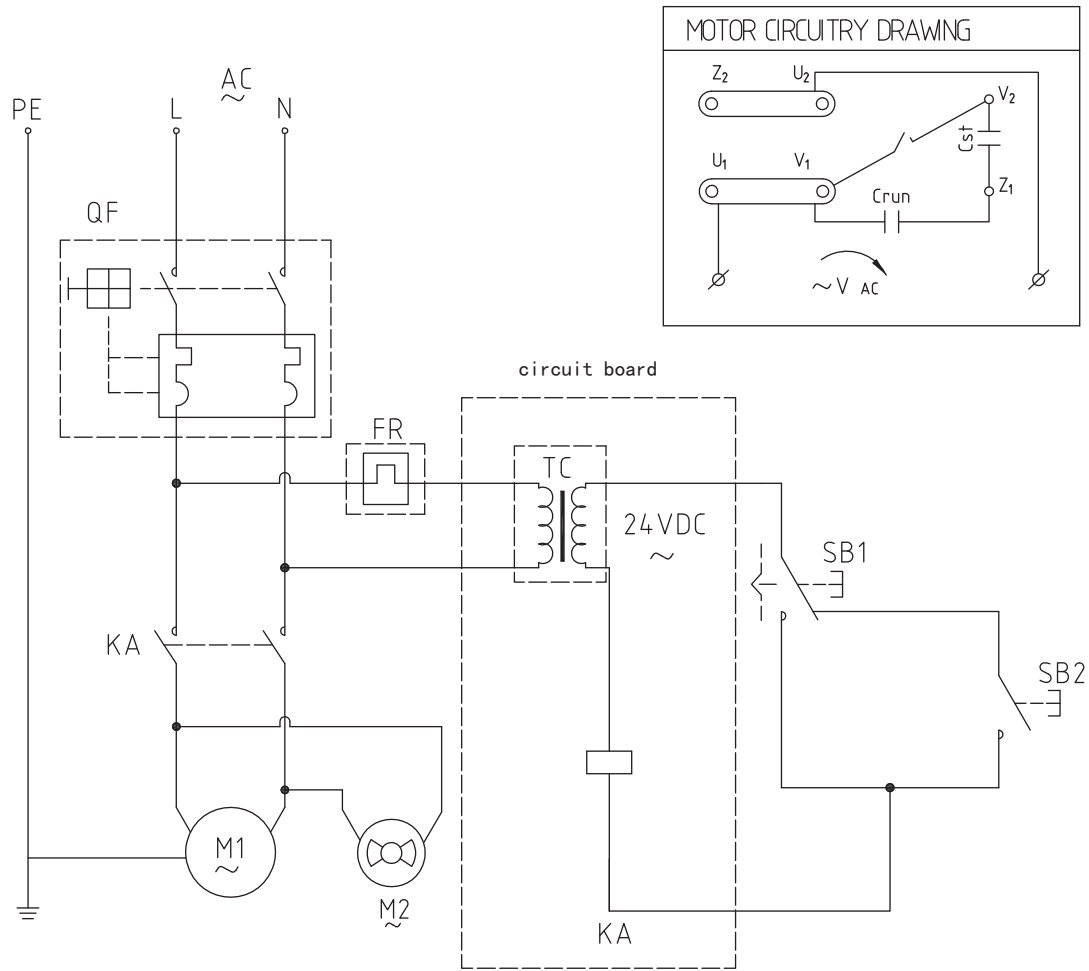
ELECTRICAL PRINCIPLE DRAWING D14



| work components | M1 Motor | SB1 | SB2 | Symbol | Description |
|--|----------|-----|-----|--------|-------------------------|
| control components | M1 Motor | SB1 | SB2 | QF | Breaker |
| Self locking SB1(+) | + | / | ○ | TC | transformer |
| Self locking SB1(-) | - | / | ○ | SB1 | remote control button 1 |
| Self retract SB2(+) | + | - | / | SB2 | remote control button 2 |
| Self retract SB2(-) | - | - | / | KA | high flow relay |
| Remark: + means connect and work - means break and stop ○ means no connection, does not work | | | | M1 | motor |
| | | | | M2 | fan |

Electronic Principium (Single Phase 115V/220V)

ELECTRICAL PRINCIPLE DRAWING D01 Electronic Principium



| work components | M1 Motor | M2 Fan | SB1 | SB2 | Symbol | Description |
|--|----------|--------|-----|-----|--------|-------------------------|
| control components | | | | | Crun | working capacitence |
| Self locking SB1(+) | + | + | / | ○ | Cst | start capacitence |
| Self locking SB1(-) | - | - | / | ○ | QF | breaker |
| Self retract SB2(+) | + | + | - | / | FR | relay |
| Self retract SB2(-) | - | - | - | / | SB1 | remote control button 1 |
| Remark: + means connect and work - means break and stop ○ means no connection, does not work | | | | | SB2 | remote control button 2 |
| | | | | | M1 | motor |
| | | | | | M2 | fan |
| | | | | | | circuit board |