

STIKO

DIN 16001 Pressure Gauges

from 2000 bar / 30000 psi
to 7000 bar / 100000 psi



APPLICATION
Solid front safety gauges
from Stiko are now
designed in accordance
with DIN 16001



■ SPECIFICATIONS

Design

DIN 16001, (with serial number),
S3: EN837

Nominal size in mm

Ø100, Ø160, AISI 304
AISI 316 on request

Accuracy class

+/-1.0% Full scale or better

Scale ranges

See back side table, others on request

Ingress protection

IP65 per IEC/EN 60529

Pressure limitation

Steady: 3/4 x full scale value
indicated with ◀
Fluctuating: 2/3 x full scale value
Short time: Full scale value

Window

Laminated Safety Glass (laser marked SG)

Movement

Stainless steel AISI-304

Dial

White face with black printing

SAFE
DURABLE
PORTABLE

RELIABLE
COMPACT
RUGGED

SAFETY FEATURES

Meets standard-defined criteria of the category "S3: EN837" (safety pressure gauges with solid baffle wall and safety glass).

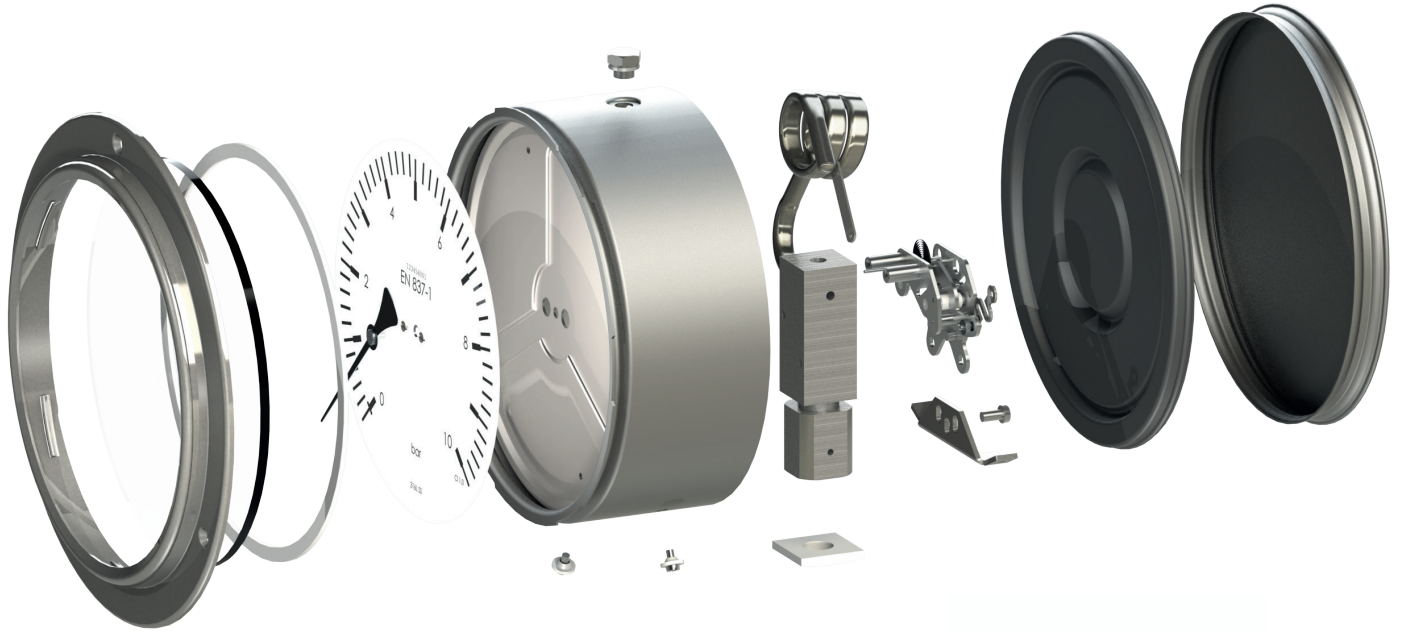
OPTIONAL

- > Panel mounting flange, stainless steel, wall mount
- > Filled case
- > Double scales
- > Other connections on request

STIKO

DIN 16001 Pressure Gauges

from 2000 bar / 30000 psi
to 7000 bar / 100000 psi



Model	Size								Bourdon Tube	
		0-2000 [bar]	0-2500 [bar]	0-3000 [bar]	0-4000 [bar]	0-5000 [bar]	0-6000 [bar]	0-7000 [bar]	Ni Span C	Stainless Steel
PBX-SF	Ø100	●	●	●	●				●	
	Ø160	●	●	●					●	
PBX-HP	Ø160				●	●	●	●		●

Model	Size								Bourdon Tube	
		0-30000 [psi]	0-36000 [psi]	0-40000 [psi]	0-60000 [psi]	0-70000 [psi]	0-80000 [psi]	0-100000 [psi]	Ni Span C	Stainless Steel

Note:

- Standard available ●
- Socket connection AISI 316L
- 1/2" BSP and M16x1.5 rate (2000-2500 bar) to DIN 16001
- 9/16" - 18 UNF
- Other connections on request

*A pleasure
to measure*