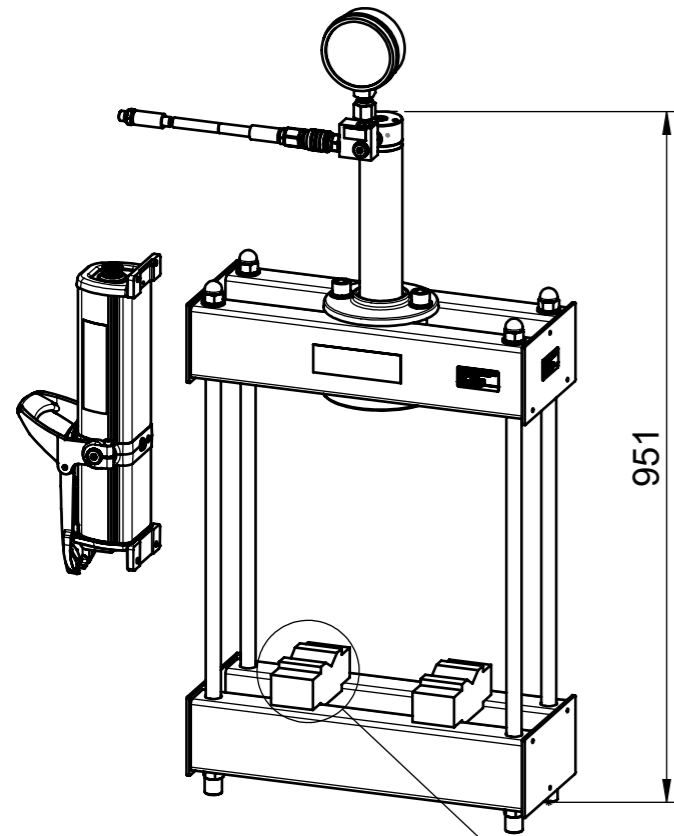
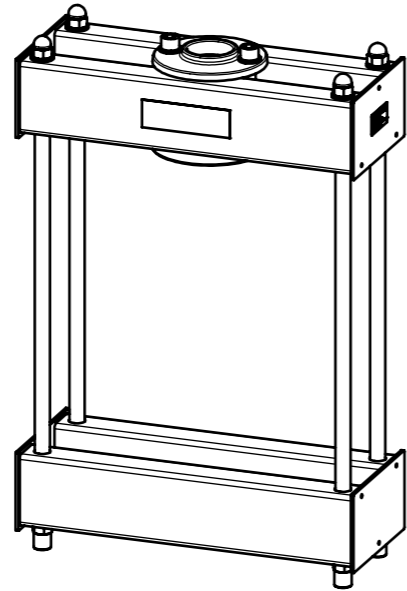


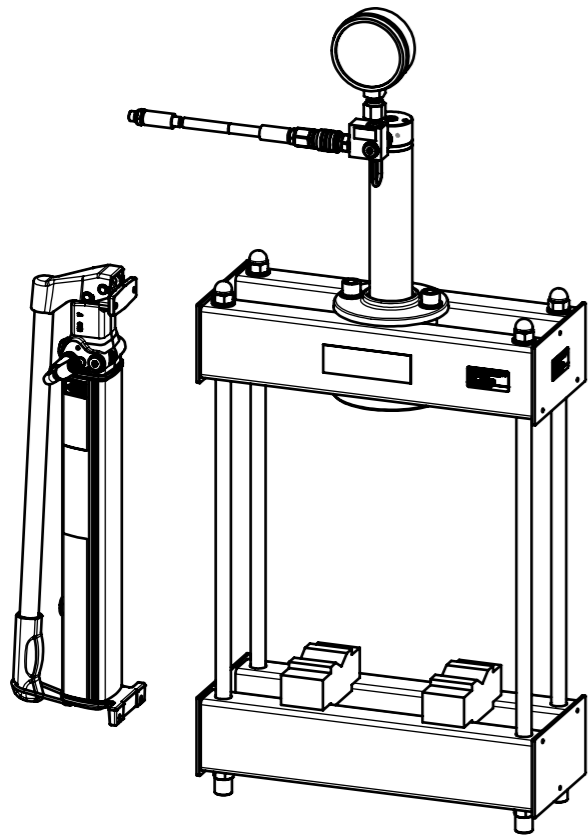
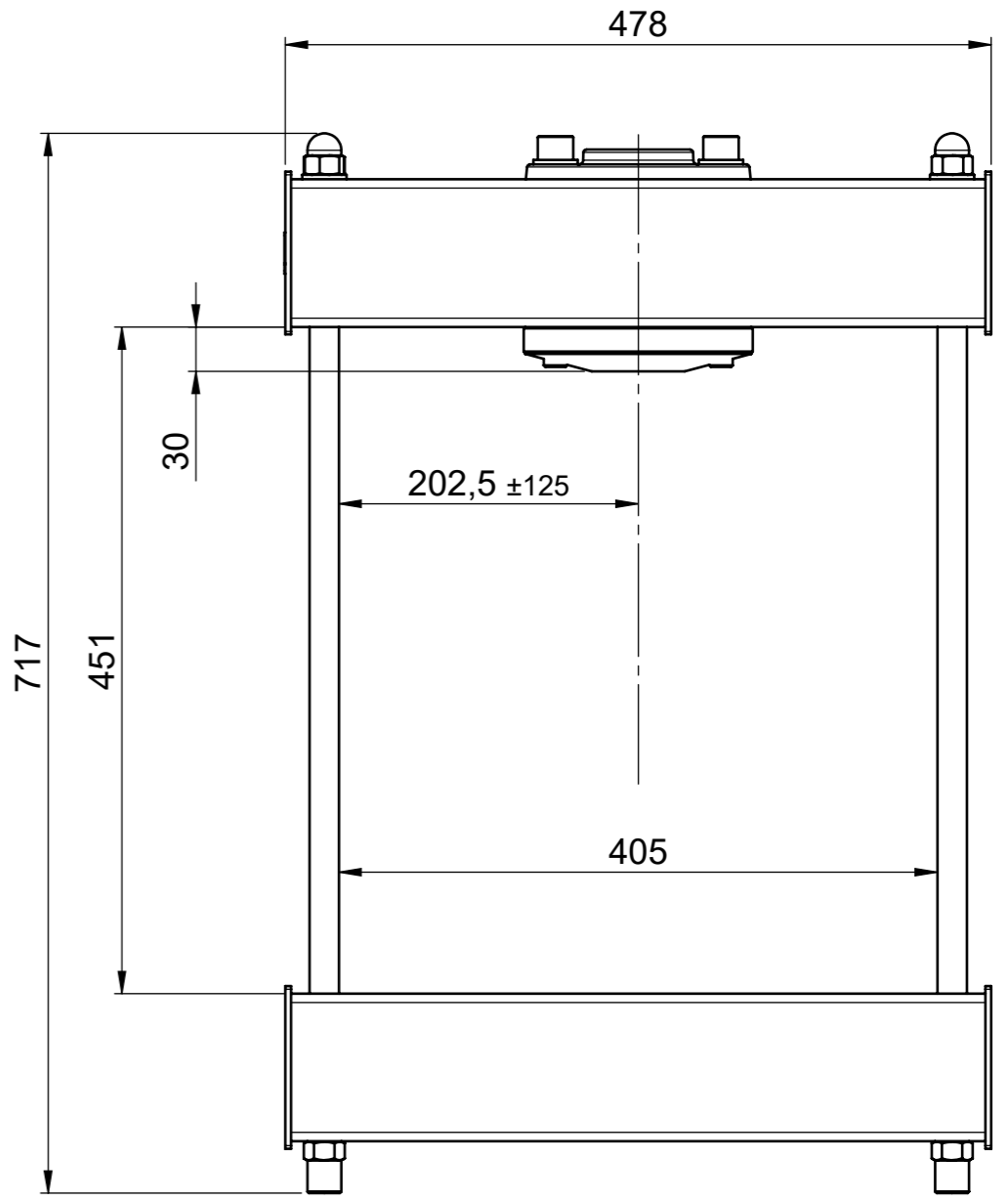
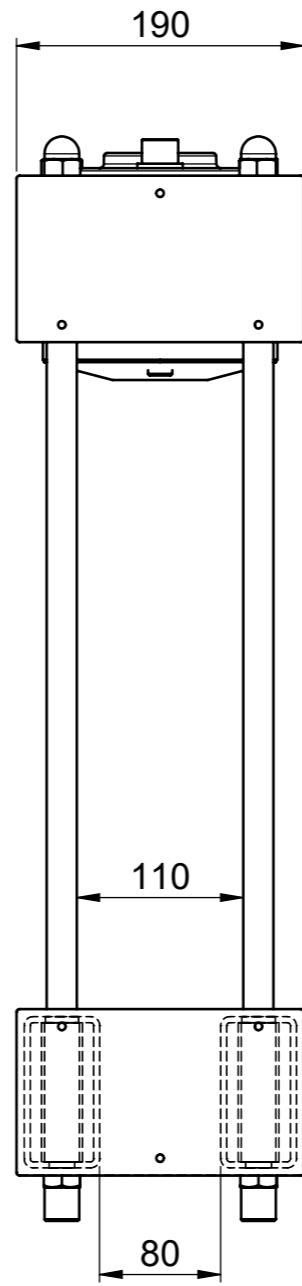
DENNA RITNING ÄR REHOBOT AB:s EGENDOM. SKYDDAD ENLIGT GÄLLANDE LAG. THIS DRAWING IS THE PROPERTY OF REHOBOT AB. PROTECTED BY PREVAILING LAW.



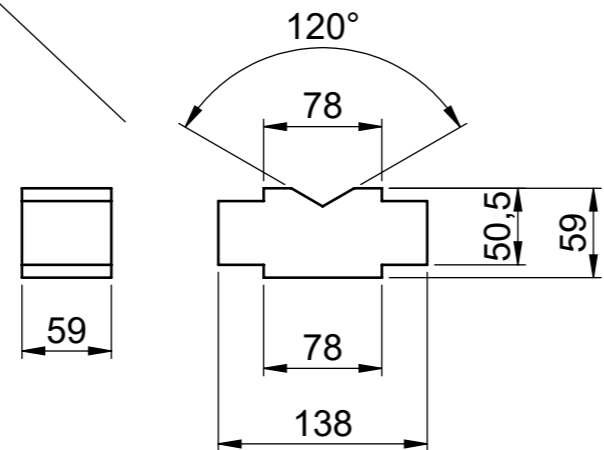
ZMB6



ZB110



ZHB10



TVB10

(can be used on "V" side or flat side)

Name	Item code	Capacity kN (t)	Cylinder	Stroke mm	Pump	Weight kg
ZB110	21359	111 (11)	-	-	-	27,5
ZHB10*	45224	111 (11)	CFC1012	305	PHS70-1000W	49
ZMB6*	26760	111 (11)	CFC1012	305	PP70B-1000	48

* TBV10, hose LS151ES, gauge AMP651, gauge adaptor AVM202 included

0

Material		Blank, dimension		Heat treatment		Surface treatment	
Permissible deviations for dimensions without indication of tolerances				Surface roughness unless specified			
Machined parts acc.SS-ISO-2768-1		Castings acc.SS-ISO-8062		Fuse welded constr. acc.SS-EN ISO 13920		Ra μ m	
Designed by	Drawn by	Date	Product		Tol.system acc. ISO		E
Prod.appr. RJ	Design appr. CS	Scale	Dimensional drawing Måttitning		Replaces		
2017-11-16	2017-10-16	1:5	Title		Replaced by		
REHOBOT®			ZB110 Presstativ		C-51014		

Issue	Change	Position	Date	Sign.
8		7		6

8

7

6

5

4

3

2

1