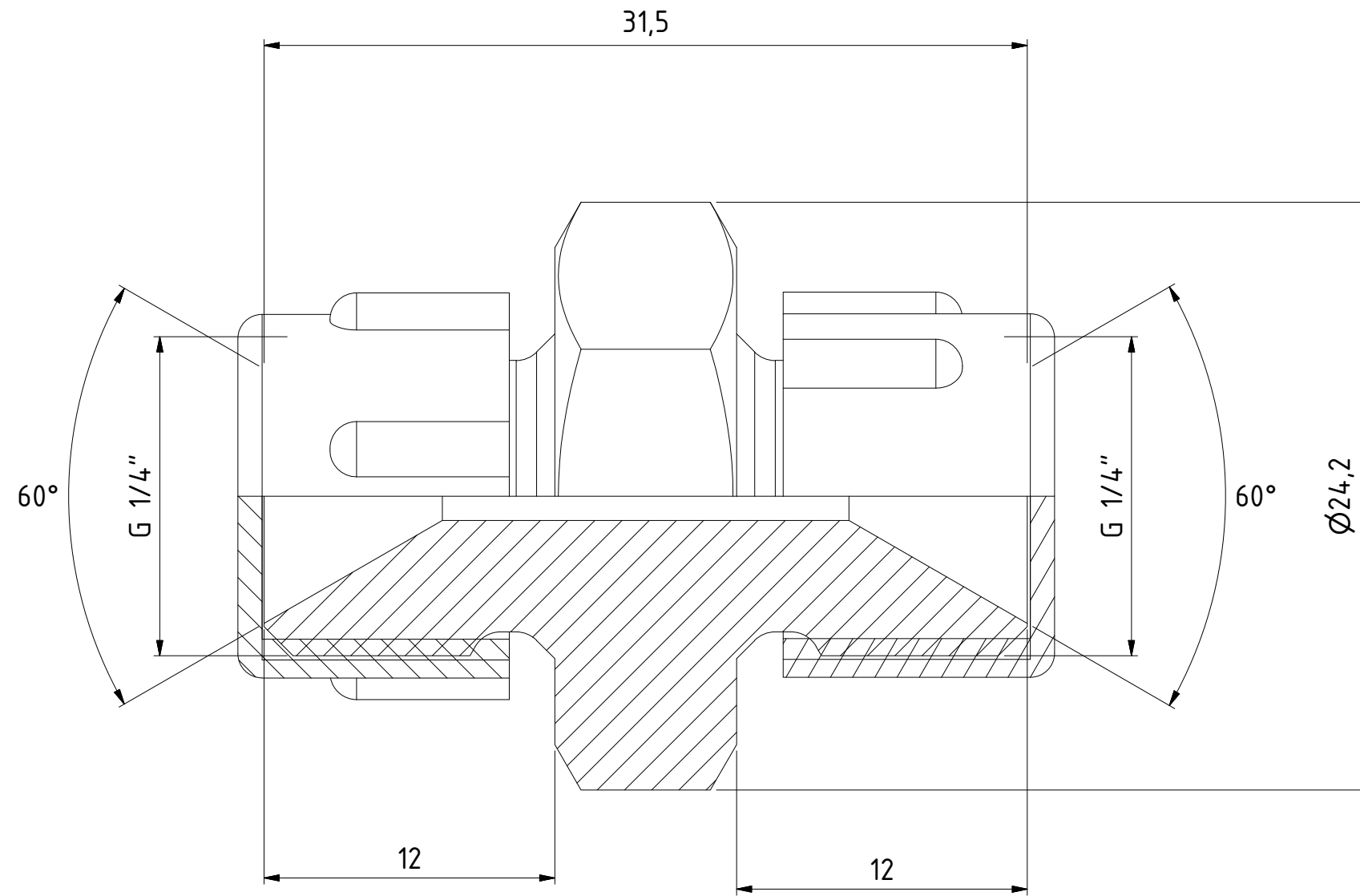



1 : 1



Product No.	199501722
Nominal flow $\varnothing$ DN:	2 mm
Connection Stroke:	mm
Max WP Connected:	2500 bar
Min BP Connected:	5000 bar
Temperature range:	-°C - °C
Connection:	G 1/4" Male
Sealing material:	-
Hexagon:	21

2	2	Thread protection	Plastic
1	1	Adaptor	1.4404/316L
Item	Qty	Description	Material
		Scale: 4 : 1	Drawn: CABANLA
		Checked: EP	Appr.: JW
		ECO	Date: 2018-03-22
			Issue: AB
<b>Assembly Drawing 509501722</b>			Sheet: 1 / (1)

This document must not be copied, either completely or in part, without permission. Any infringement will have legal consequences ©

