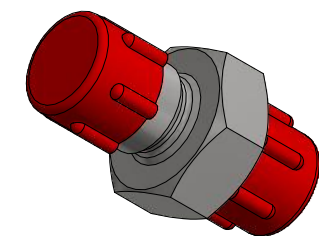
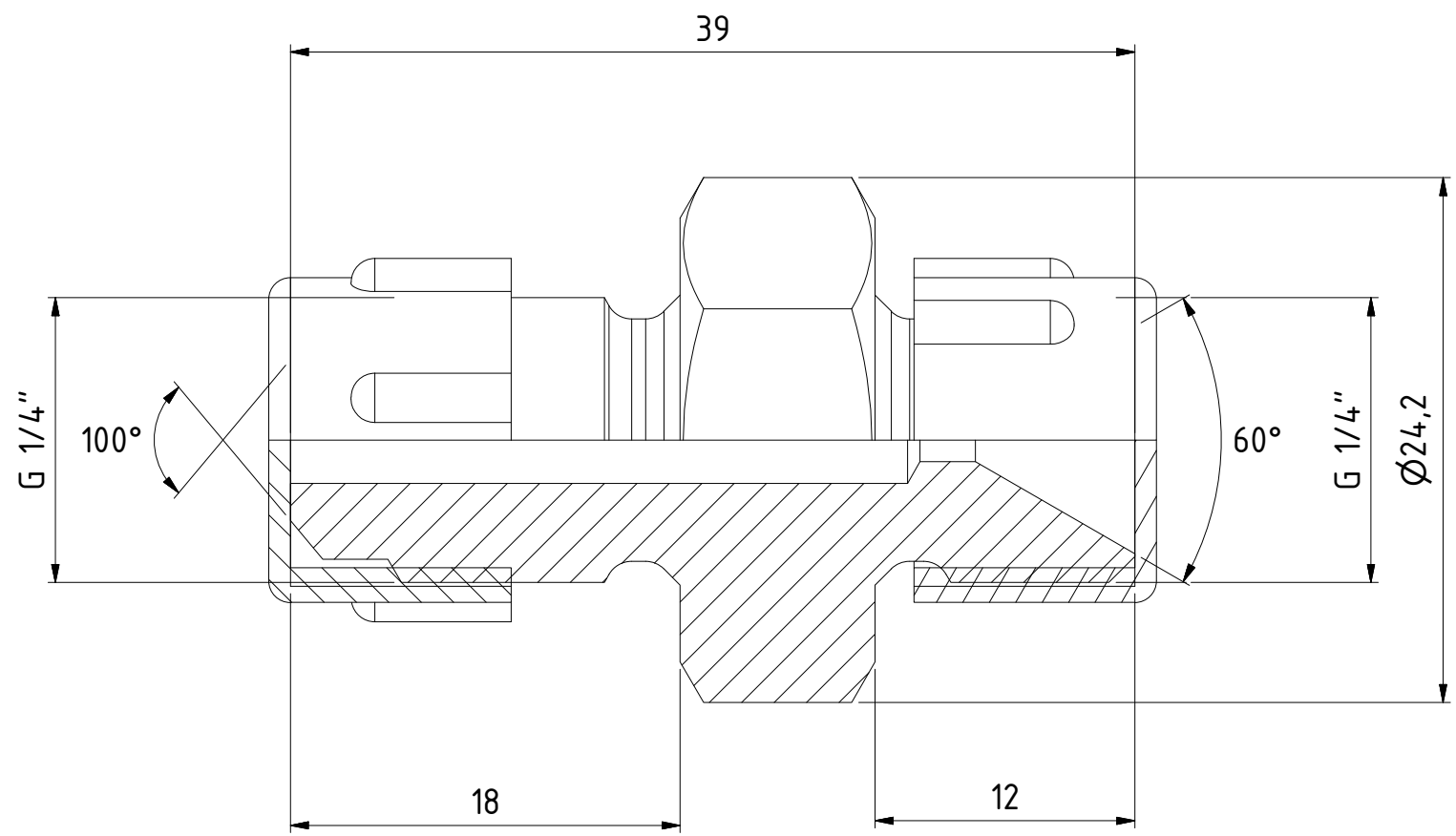



This document must not be copied, either completely or in part, without permission. Any infringement will have legal consequences ©



1 : 1



Product No.	199501712
Nominal flow Ø DN:	2 mm
Connection Stroke:	mm
Max WP Connected:	2500 bar
Min BP Connected:	5000 bar
Temperature range:	°C - °C
Connection:	See drawing
Sealing material:	
Hexagon:	21

2	2	Thread protection	Plastic
1	1	Male/male thread adaptor	1.4404/316L
Item	Qty	Description	Material
		Scale: 3 : 1	Drawn: CABANLA
		Checked: EP	Appr.: JW
		ECO	Date: 2018-03-22
 <b>Assembly Drawing</b>			Drawing No. 509501712
			Issue: AB
			Sheet: 1 / (1)

