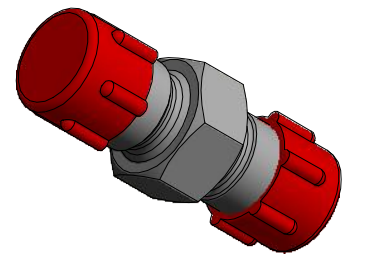
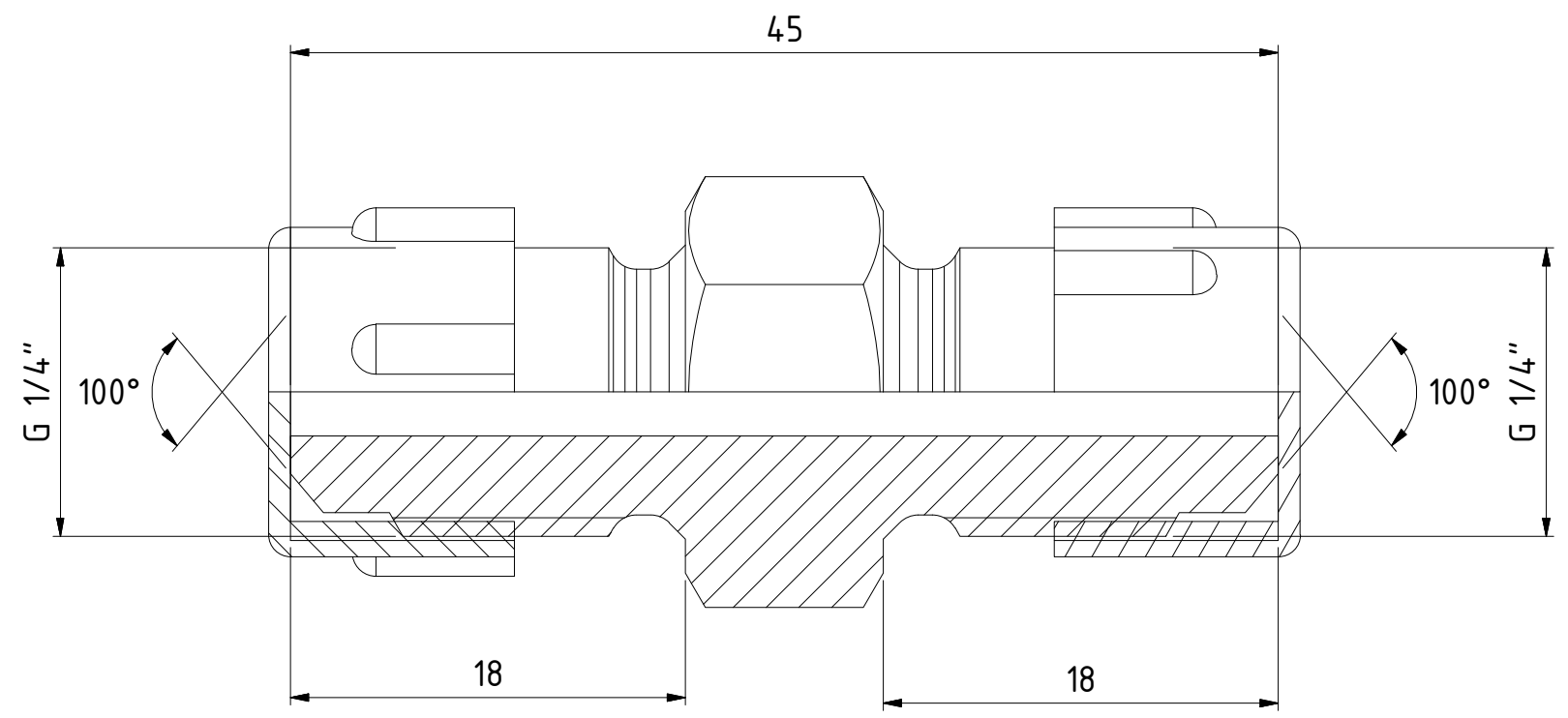


This document must not be copied, either completely or in part, without permission. Any infringement will have legal consequences ©



1 : 1



Product No.	199501711
Nominal flow $\varnothing$ DN:	4 mm
Connection Stroke:	mm
Max WP Connected:	3000 bar
Min BP Connected:	6000 bar
Temperature range:	$^{\circ}\text{C} - ^{\circ}\text{C}$
Connection:	G 1/4" Male
Sealing material:	
Hexagon:	17

Item	Qty	Description	Material
2	2	Thread protection	Plastic
1	1	Adaptor	Stainless steel

	Scale	3 : 1	Drawn	CABANLA	Checked	EP	Appr.	JW	ECO	Date	2018-03-22		
	<b>Assembly Drawing 509501711</b>								Drawing No.		Issue	AC	Sheet

A3