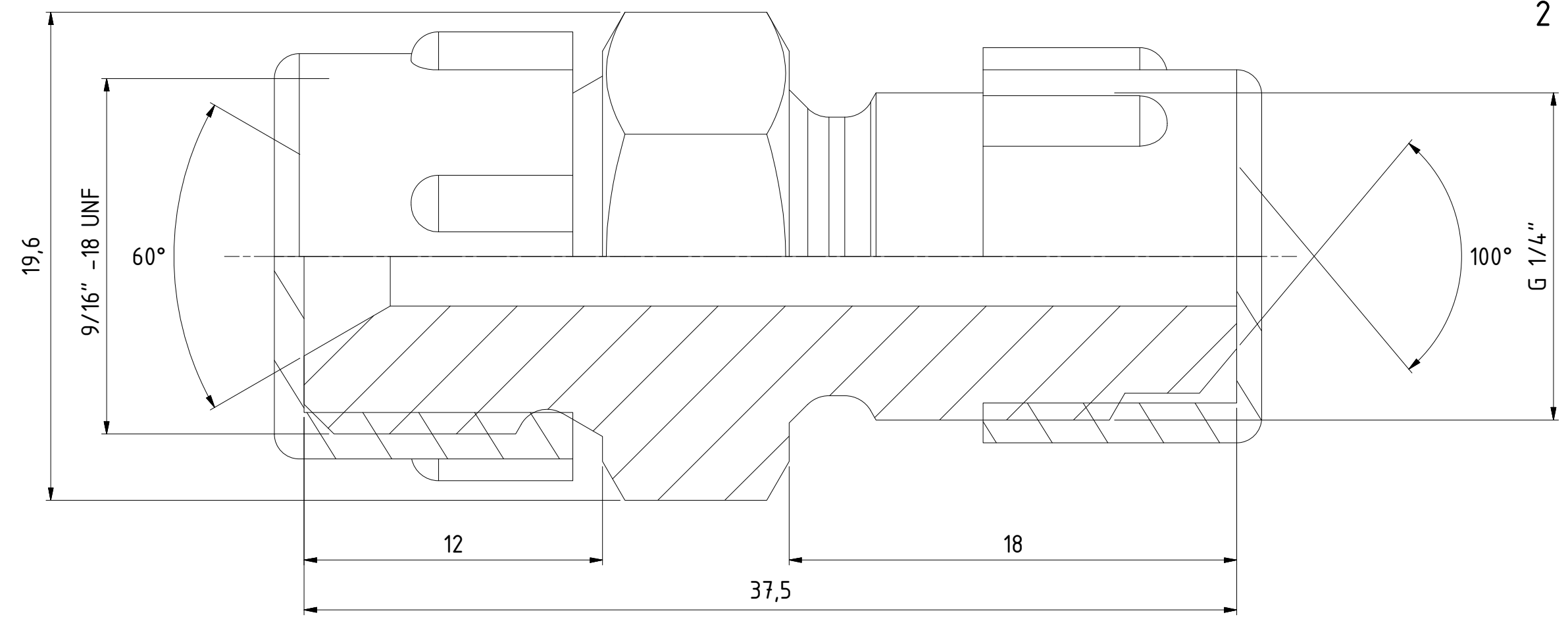
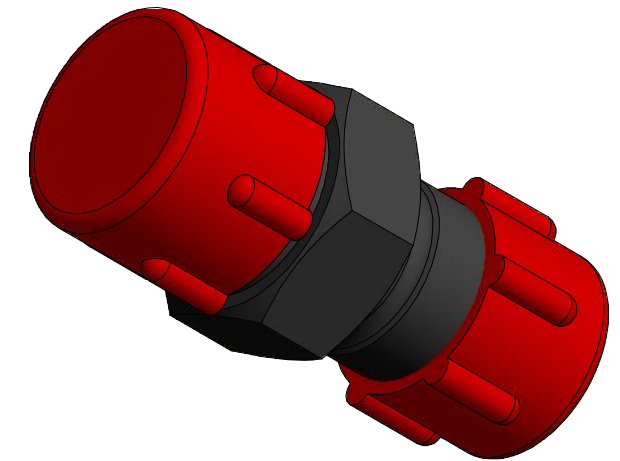
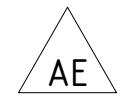


This document must not be copied, either completely or in part, without permission. Any infringement will have legal consequences ©



2 : 1

Product No. 199500029	
Nominal flow \varnothing DN:	4,0 mm
Max WP Connected:	3000 bar
Min BP Connected:	5000 bar
Temperature range:	°C - °C
Connection 1:	See drawing
Connection 2:	See drawing
Connection 3:	
Connection 4:	
Hexagon:	17
Recommended torque:	40-50 Nm



Item	Qty	Description	Material
3	1	Thread protection	Plastic
2	1	Thread protection	Plastic
1	1	Adaptor	Steel, Zn-Fe 8 black

	Scale	5 : 1	Drawn	CABANLA	Checked	EP7	Appr.	JOOL	ECO	11923	Date	2018-01-11
	Assembly Drawing 509500029								Issue	AE	Sheet	1 / (1)

