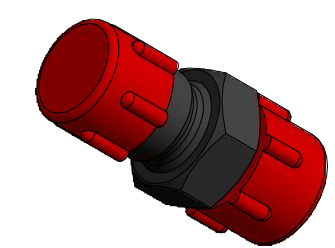
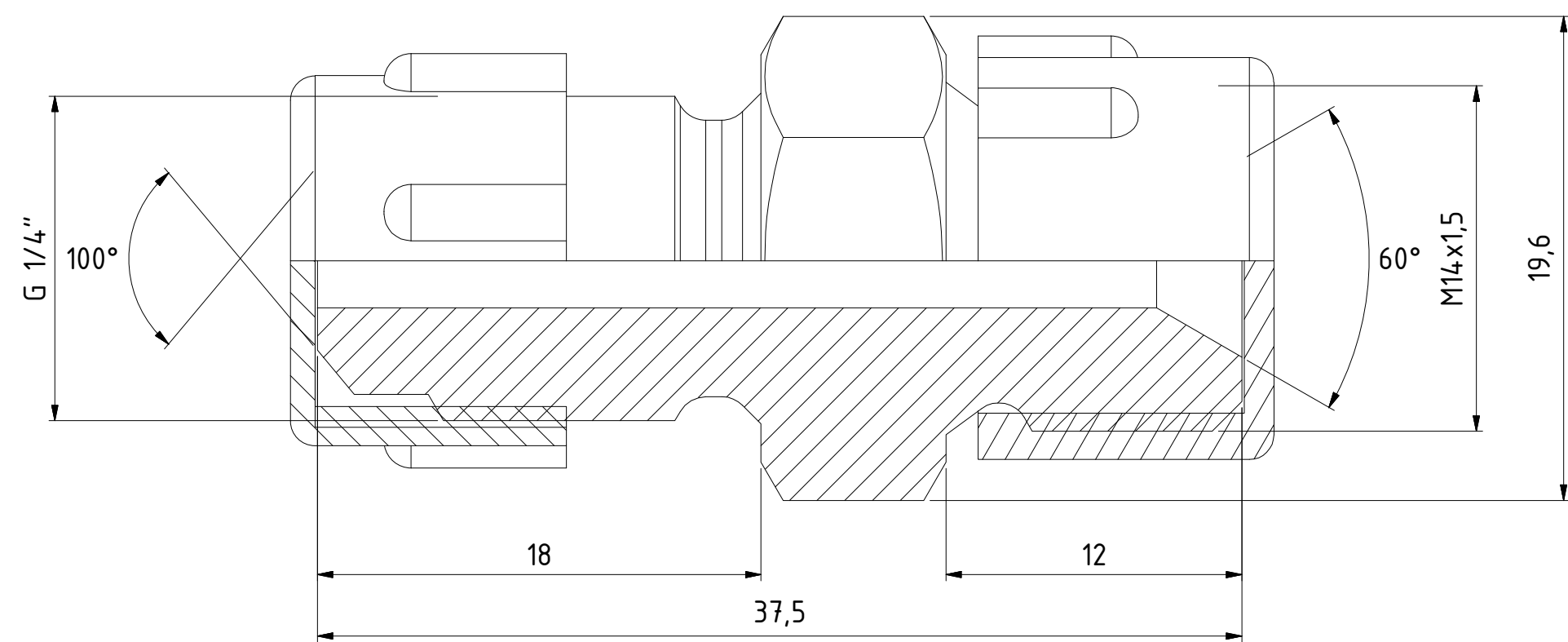


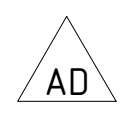
This document must not be copied, either completely or in part, without permission. Any infringement will have legal consequences ©



1 : 1



Product No.	199500028
Nominal flow $\varnothing$ DN:	- mm
Max WP Connected:	3000 bar
Min BP Connected:	5000 bar
Temperature range:	-°C - -°C
Connection 1:	See drawing
Connection 2:	See drawing
Connection 3:	
Connection 4:	
Hexagon:	17
Recommended torque:	40-50 Nm



Item	Qty	Description	Material
3	1	Thread protection	Plastic
2	1	Thread protection	Plastic
1	1	Male thread adaptor	Steel, Zn-Fe 8 black

	Scale	4 : 1	Drawn	CABANLA	Checked	EP07	Appr.	JW	ECO	11923	Date	2018-01-11	
	<b>Assembly Drawing 509500028</b>										Issue	AD	Sheet

