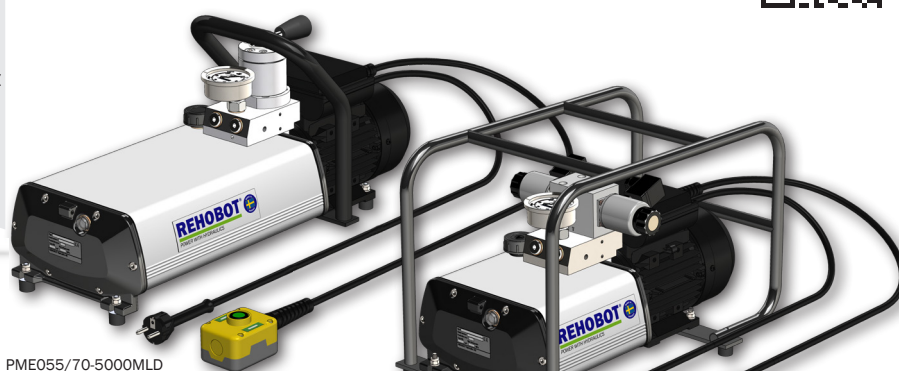


SPECIFICATIONS

- 70 MPa / 700 Bar
- Usable oil capacity, 2.5-5 l
- Adjustable pressure 0-70 MPa*
- Can start at max. pressure
- Pendant control IP67
- Ø63mm Cl. 2.5 gauge included
- Noise level <80 dB
- Built in safety valve
- Oil fill cap with vented plug
- Aluminium oil container
- 0,25kW or 0,55kW. 230VAC/50Hz
- Carrying handle or cage

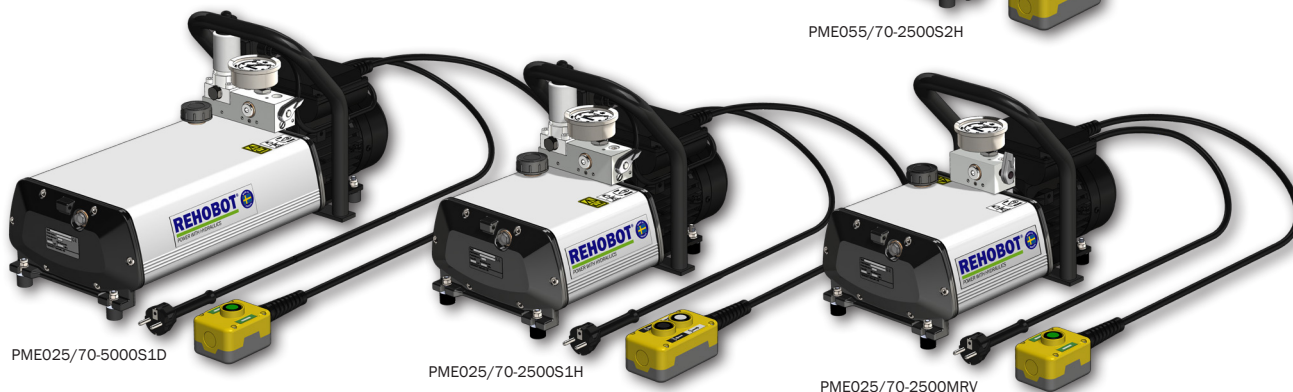
* Not included in the double acting tool pumps S2H and MLD.

POWER WITH HYDRAULICS



PME055/70-5000MLD

PME055/70-2500S2H



PME025/70-5000S1D

PME025/70-2500S1H

PME025/70-2500MRV

Information



Low height horizontal design.
Robust and durable with aluminium oil container.
Low maintenance induction motor - no need to change carbon brush.
Low noise level - under 80 dB.
Oil fill cap with built in air vent to prevent over and under pressure in oil container.

Functionality



High start torque motors that enable pumps to start under full load.
Hold to run IP67 pendant control. Motor only run when pump button being pushed. Releasing the pump button stops the motor but maintains pressure (except the S1D models). Single tool pumps have a pressure regulating option between 0-70 MPa.

Usability



For intermittent use.
Industrial and workshop applications.

E.g:

- Bushing tools
- Cutters and spreaders
- Hydraulic press
- Hydraulic cylinders

REHOBOT Hydraulics AB

Postal address: P.O. Box 1107
631 80 Eskilstuna, Sweden
T: +46 (0)16-16 82 00 | F: +46 (0)16-13 93 16
E: info@rehobot.se | www.rehobot.se

REHOBOT Ltd.

Unit 6, Stechford Trading Estate, Lyndon Road, Stechford
Birmingham B33 8BU, UK
T: +44 121 789 77 07 | F: +44 121 789 68 66
E: info@rehobot.co.uk | www.rehobot.co.uk

REHOBOT Inc.

Unit #1 3980 W. Albany St.
McHenry IL 600 50, USA
T: +1 815 385 77 77 | F: +1 815 385 77 76
E: info@rehobot.us | www.rehobot.us

PERFORMANCE & DATA

Valve	Function	Pressure regulating function
MRV	Manual release valve for a controlled release of pressure. One button pendant control.	Yes
S1H	Solenoid activated quick release. Two buttons pendant control. NOTE! All S1H pumps also have have a MRV manual release valve on the pump.	Yes
S1D	Automatic dump valve. One button pendant control. Hold button to run pump, release button to stop the pump and release pressure.	Yes
MLD	Manual 4/3 valve for double acting tools. One button pendant control.	No
S2H	Solenoid activated 4/3 valve for double acting tools. Two buttons pendant control. All S2H pumps come with protective cage instead of carrying handle.	No

Designation	Item code	Working pressure	Eff. oil vol.	Capacity (cm ³ /min)		Motor** (V/Hz*/kW)	Gauge		Weight (kg)
		(MPa)	(cm ³)	High pressure	Low pressure		Type	Size (mm/in.)	
PME025/70-2500MRV	51810	70	2500	240	3200	230/50/0,25	AMT802	Ø62/Ø2.44	13,7
PME025/70-2500S1H	52302	70	2500	240	3200	230/50/0,25	AMT802	Ø62/Ø2.44	14,6
PME025/70-2500S1D	52510	70	2500	240	3200	230/50/0,25	AMT802	Ø62/Ø2.44	14,6
PME025/70-2500MLD	TBA Q1	70	2500	240	3200	230/50/0,25	AMT802	Ø62/Ø2.44	TBA
PME025/70-2500S2H	TBA Q1	70	2500	240	3200	230/50/0,25	AMT802	Ø62/Ø2.44	TBA
PME025/70-5000MRV	52399	70	5000	240	3200	230/50/0,25	AMT802	Ø62/Ø2.44	17,2
PME025/70-5000S1H	52513	70	5000	240	3200	230/50/0,25	AMT802	Ø62/Ø2.44	18,1
PME025/70-5000S1D	52514	70	5000	240	3200	230/50/0,25	AMT802	Ø62/Ø2.44	18,1
PME025/70-5000MLD	TBA Q1 -23	70	5000	240	3200	230/50/0,25	AMT802	Ø62/Ø2.44	TBA
PME025/70-5000S2H	TBA Q1 -23	70	5000	240	3200	230/50/0,25	AMT802	Ø62/Ø2.44	TBA
PME055/70-2500MRV	TBA Q1 -23	70	2500	470	4000	230/50/0,55	AMT802	Ø62/Ø2.44	16,3
PME055/70-2500S1H	TBA Q1 -23	70	2500	470	4000	230/50/0,55	AMT802	Ø62/Ø2.44	17,2
PME055/70-2500S1D	TBA Q1 -23	70	2500	470	4000	230/50/0,55	AMT802	Ø62/Ø2.44	17,2
PME055/70-2500MLD	TBA Q1 -23	70	2500	470	4000	230/50/0,55	AMT802	Ø62/Ø2.44	TBA
PME055/70-2500S2H	TBA Q1 -23	70	2500	470	4000	230/50/0,55	AMT802	Ø62/Ø2.44	TBA
PME055/70-5000MRV	TBA Q1 -23	70	5000	470	4000	230/50/0,55	AMT802	Ø62/Ø2.44	19,8
PME055/70-5000S1H	TBA Q1 -23	70	5000	470	4000	230/50/0,55	AMT802	Ø62/Ø2.44	20,7
PME055/70-5000S1D	TBA Q1 -23	70	5000	470	4000	230/50/0,55	AMT802	Ø62/Ø2.44	20,7
PME055/70-5000MLD	TBA Q1 -23	70	5000	470	4000	230/50/0,55	AMT802	Ø62/Ø2.44	TBA
PME055/70-5000S2H	TBA Q1 -23	70	5000	470	4000	230/50/0,55	AMT802	Ø62/Ø2.44	TBA

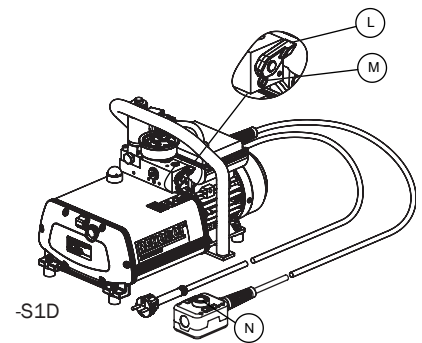
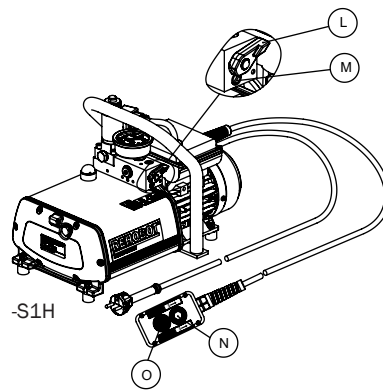
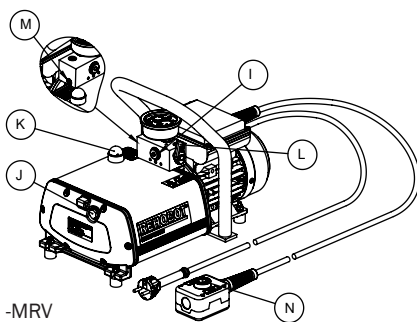
** 230VAC / 60Hz / 0,25kW motor available as option. Contact REHOBOT for more information

Electric component	Cable Material	Length***	Additional information	Customizations, not standard.
Power Cord	H07RN-F	2 m	Plug CEE 7/7	CEE blue-16A
Pendant Control	H07RN-F	2,5 m	IP67 hand held pendant control	Foot Pedal

*** For alternative length, contact REHOBOT.

FUNCTION MRV/S1H/S1D - FOR SINGLE ACTING TOOLS

I	J	K	L	M	N	O
Pressure G1/4"	Oil level glass G1/4"	Oil refill G3/8"	Manual release valve	Pressure regulating valve 0-70 MPa	Pendant control hold to pump	Pendant control release



FUNCTION MLD/S2H - FOR DOUBLE ACTING TOOLS

I	J	K	L	M	N	O
Pressure 2x G1/4"	Oil level glass G1/4"	Oil refill G3/8"	Manual release valve	Manual 4/3 valve	Solenoid 4/3 valve	Pendant control release

**Pumps for double acting tools to be announced in Q1 2023.
Contact REHOBOT for any further information.**

MEASUREMENTS

PME025/70-2500 MRV/S1H/S1D/MLD

Unit	A	B	C	D	E	F	G	H
mm	412	292	209	330	80	232	160	103
in	16.2	11.5	8.22	13.0	3.15	9.13	6.30	4.06

PME025/70-5000 MRV/S1H/S1D/MLD

Unit	A	B	C	D	E	F	G	H
mm	572	292	209	490	80	232	160	103
in	22.5	11.5	8.22	19.3	3.15	9.13	6.30	4.06

PME055/70-2500 MRV/S1H/S1D/MLD

Unit	A	B	C	D	E	F	G	H
mm	443	287	229	345	90	232	160	115
in	17.4	11.3	9.02	13.6	3.54	9.13	6.30	4.53

PME055/70-5000 MRV/S1H/S1D/MLD

Unit	A	B	C	D	E	F	G	H
mm	603	287	229	505	90	232	160	115
in	23.7	11.3	9.02	19.9	3.54	9.13	6.30	4.53

PME025/70-2500 S2H

Unit	A	B	C	D	E	F	G	H
mm	461	308	293	334,5	113,5	279	250	266
in	18.1	12.1	11.5	13.2	4.47	11	9.84	10.5

PME025/70-5000 S2H

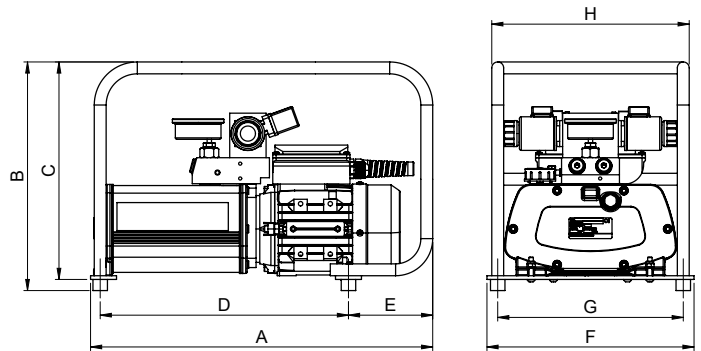
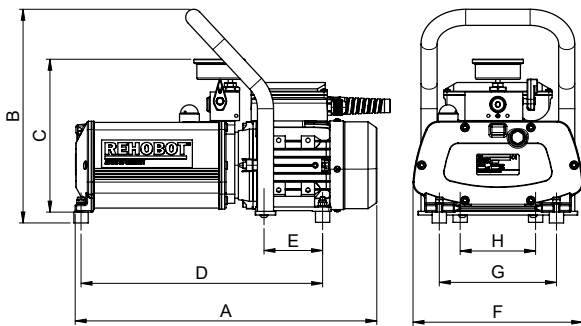
Unit	A	B	C	D	E	F	G	H
mm	621	308	293	494,5	113,5	279	250	266
in	24.5	12.1	11.5	19.5	4.47	11	9.84	10.5

PME055/70-2500 S2H

Unit	A	B	C	D	E	F	G	H
mm	461	308	293	349,5	98,5	279	250	266
in	18.1	12.1	11.5	13.8	3.88	11	9.84	10.5

PME055/70-5000 S2H

Unit	A	B	C	D	E	F	G	H
mm	621	308	293	509,5	98,5	279	250	266
in	24.5	12.1	11.5	20.1	3.88	11	9.84	10.5



ACCESSORIES - PROTECTIVE CAGE

	Part.no	Info
Size -2500	52303	Fits 0,25- and 0,55kW
Size -5000	52509	Fits 0,25- and 0,55kW
Rubber feet (1 pcs)	46235	M6. Not included.
Screw (1 pcs)	40212	K6S M6x30. Not included
Washer (1 pcs)	01017590	For M6 screw. Not included
Lock Nut (1 pcs)	44253	M6 DIN985, Not included

NOTE! Already included in S2H pumps

