

> Power Team®

powerteam.com



1500 BAR HAND PUMP



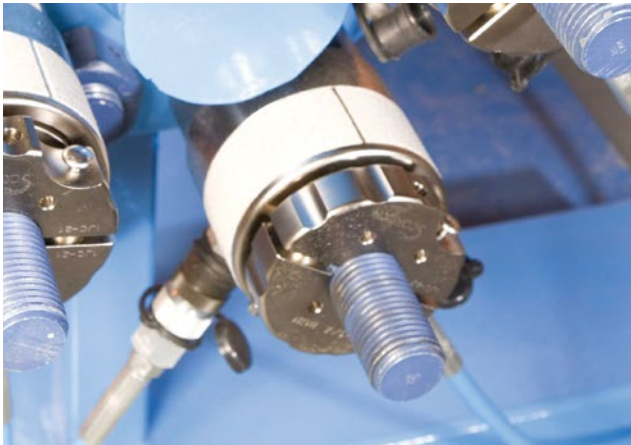
PORTABILITY MEETS EFFICIENCY IN A
LIGHTWEIGHT ALUMINUM DESIGN

SPXFLOW®

Model Shown:
P59L-1500, P59L-1500G



▶ Power Team's P59L-1500G, was the perfect choice in accurately tensioning studs on a pipe flange



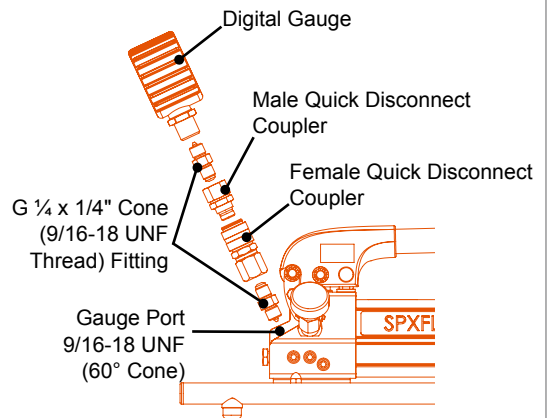
Features

HIGH-PRESSURE, TWO SPEED HAND PUMP FOR AN ARRAY OF TESTING AND TENSIONING APPLICATIONS.

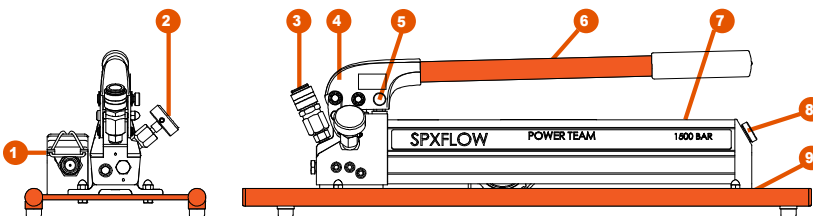
- Pressure Range - 0 to 21,750 PSI (0 to 1500 BAR)
- Two-speed design reduces handle effort by 40%
- Fiberglass handle provides rigidity, and reduces operator fatigue with grip.
- Convenient fill port enables pumps to be filled in a horizontal or vertical position.
- Fill cap seal acts as safety valve preventing over-pressurizing of reservoir.
- Large valve knob gives added control for slowly metering loads down.
- P59L-1500G model comes with a skid plate for stabilization and a digital pressure gauge.
- Extremely lightweight, easy to transport with the aluminum body design.



P59L-1500G Details

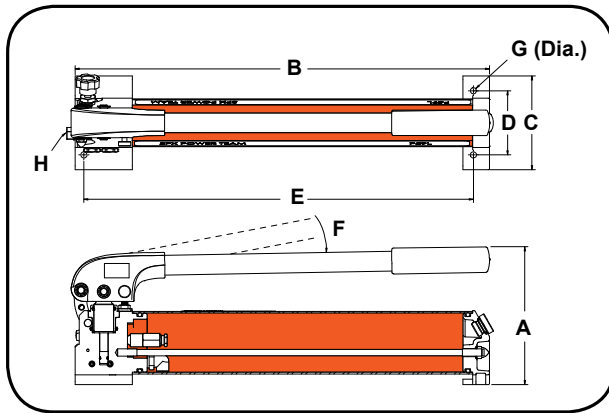


Technical Attributes



Model Shown: P59L-1500G

- | | |
|--------------------------|----------------------|
| 1 Gauge Holder | 6 Fiberglass Handle |
| 2 Release Valve | 7 Aluminum Reservoir |
| 3 Gauge Port | 8 Fill Port |
| 4 P59 Linkage | 9 Skid Plate |
| 5 Integrated Handle Lock | |



CAUTION
The P59L-1500 series pumps are rated for high pressure operation, use with appropriately rated hoses and fittings.

Technical Dimensions

Order No.	A	B	C	D	E	F	G	H
	in. (mm.)	in. (mm.)	in. (mm.)	in. (mm.)	in. (mm.)	(deg.)	(in.)	(in.)
P59L-1500	7.17 (182.1)	21.91 (556.5)	5.47 (138.9)	3.25 (82.6)	19.75 (501.7)	47°	5/16	9/16-18 UNF-2B **
P59L-1500G*	7.17 (182.1)	21.91 (556.5)	5.47 (138.9)	3.25 (82.6)	19.75 (501.7)	47°	5/16	9/16-18 UNF-2B **

* Overall length, with the skid plate, is 28.30 in. (718.8 mm.).

** High pressure 60° cone port.

Ordering Information

Speed	Order No.	Volume per Stroke		Max. Pressure		Handle Effort	Reservoir		Oil Port	Prod. Wt.
		LP	HP	LP	HP		Oil Cap.	Usable Oil Cap.		
		in ³ (cm ³)	in ³ (cm ³)	psi (bar)	psi (bar)		in ³ (cm ³)	in ³ (cm ³)		
2	P59L-1500	0.68 (11.1)	0.05 (0.88)	300 (20)	21,750 (1,500)	72 (32.7)	67.1 (1,100)	44.5 (729.2)	3/4 - 16 UNF	10.4 (4.7)
2	P59L-1500G*	0.68 (11.1)	0.05 (0.88)	300 (20)	21,750 (1,500)	72 (32.7)	67.1 (1,100)	44.5 (729.2)	3/4 - 16 UNF	14.4 (6.5)

* Equipped with a skid plate and a digital gauge.

LP = Low Pressure

HP = High Pressure

Optional Accessories

Topside Hoses, with Locking Collar	
Order No.	Description
HL1M-LC	3 ft. (1 m) Hose, 21,750 psi (1,500 bar), CE, with locking collar (only stocked in Europe & Asia)
HL13M-LC	4 ft. (1.3 m) Hose, 21,750 psi (1,500 bar), CE, with locking collar (Option available in the Americas)
HL3M-LC	10 ft. (3 m) Hose, 21,750 psi (1,500 bar), CE, with locking collar
HL5M-LC	16 ft. (5 m) Hose, 21,750 psi (1,500 bar), CE, with locking collar
HL8M-LC	26 ft. (8 m) Hose, 21,750 psi (1,500 bar), CE, with locking collar
HL10M-LC	33 ft. (10 m) Hose, 21,750 psi (1,500 bar), CE, with locking collar

For hoses without locking collars, remove "-LC" from the part number. In the Americas, the 1.3 m hose is typically stocked without a locking collar (No. HL13M). Hoses with locking collars are available upon request (No. HL13M-LC).

Additional lengths available upon request.



2001772*		Male Coupling: Quick-connect, push-in male nipple. Used on 21,750 psi (1,500 bar) tensioners and pumps. G 1/4" Female Thread
2008547*		Female Coupling: Quick-connect, push-in female coupling with locking collar. Used on 21,750 psi (1,500 bar) tensioners hoses. G 1/4" Female Thread.
2002278		Gauge: 30,000 psi (2,000 bar). Typically attached with quick coupler (ordered separately).

* Requires 2001771 Fitting

GLOBAL CUSTOMER SERVICE CENTERS

North America Headquarters

5885 11th Street
Rockford, IL 61109
USA

Customer Service/Order Entry

Tel: +1 800 541 1418
Fax: +1 800 288 7031

Send P.O's to: info@powerteam.com

Technical Services

Tel: +1 800 477 8326
Fax: +1 800 765 8326

European Headquarters

Albert Thijsstraat 12
6471 WX Eygelshoven
The Netherlands
Tel: +31 45 567 8877

infoeurope@powerteam.com

SEA Headquarters

20 Pioneer Crescent #06-01
West Park BizCentral
Singapore 628555
Tel: +65 6264 4366
Fax: +65 6265 9133

infoasia@powerteam.com

China Headquarters

7F Treasury Building
1568 Huashan Road
Shanghai, 200052 China
Tel: +86 21 2208 5888
Fax: +86 21 2208 5682

infochina@powerteam.com

Australia Headquarters

Level 2, Quad 2, 6 Parkview Dr. Sydney
Olympic Park,
NSW 2127 Australia
Tel: +61 3 9589 9222



Distributed by:

SPXFLOW