



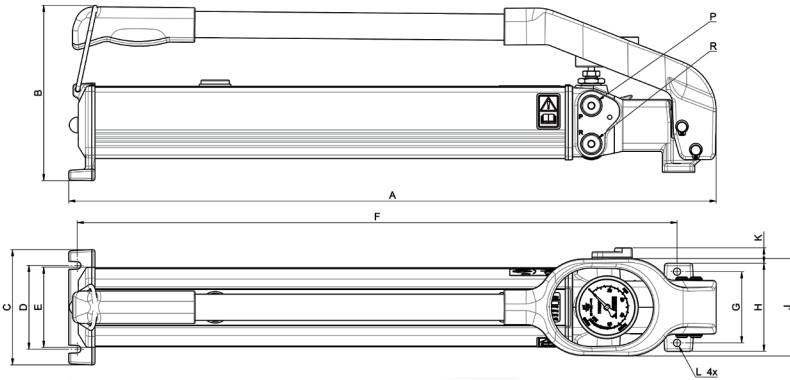
REHOBOT®
MADE IN SWEDEN

PHS Tek Etkili Hidrolik El Pompaları PHS Single Speed Hydraulic Hand Pump



- » Çalışma basıncı 700 veya 800 bar
- » Tek etkili çift hızlı hidrolik sistem
- » Yağ kapasite seçeneği 0,3 – 4 litre
- » 700 barda pompalama debisi 2 cm³
- » Yağ çıkış ve yağ dönüş portu G1/4"
- » 1000 bar 63Ø mm manometre dâhil
- » Dâhili basınç emniyet valf donanımlı
- » Komple alüminyumdan mamul
- » Hafif, ergonomik ve uzun ömürlü
- » Üretim yeri İsveç, Üretici Rehobot
- » Teknik destek Surkon tarafından yapılır.

- » Working pressure 700 or 800 bar
- » Single acting, double speed system
- » Tank oil capacity range 0,3 – 4 liter
- » Flow rate at high pressure 2 cm³
- » Oil outlet and oil return port G1/4"
- » 1000 bar pressure gauge standart
- » Equipped with pressure relief valve
- » Body and tank made in aluminum
- » Lightweight, ergonomic and durable
- » Delivered in paperbox & ready to use
- » Manufactured in Sweden by Rehobot



Model	Basınç Pressure	Yağ Miktarı Useable Oil	Debi Oil Flow	Kol Kuvveti Handle Effort	Yağ Çıkışı Oil Port	Yağ Dönüşü Return Connections	Ağırlık Weight	Ölçüler / Sizes (CxAxB)
#	bar	cm ³	cm ³	kg	G	G	Kg	mm
PHS70-300	700	300	20 - 1	35	1/4"	1/4"	6	110x320x170
PHS70-1000	700	1000	20 - 2	32	1/4"	1/4"	8.1	110x620x170
PHS70-2400	700	2400	20 - 2	32	1/4"	1/4"	9.9	110x620x170
PHS70-4100	700	4100	20 - 2	32	1/4"	1/4"	13.7	140x620x170
PHS80-300	800	300	20 - 1	40	1/4"	1/4"	6	110x620x170
PHS80-1000	800	1000	20 - 2	36	1/4"	1/4"	8.1	110x620x170
PHS80-2400	800	2400	20 - 2	36	1/4"	1/4"	9.9	110x620x170
PHS80-4100	800	4100	20 - 2	36	1/4"	1/4"	13.7	140x620x170



Silindir Seti Uygulaması
Cylinder Set Application



Manometre Adaptörü
Gauge Adaptor



Kaplin
Quick Coupling



Hortum
Hose