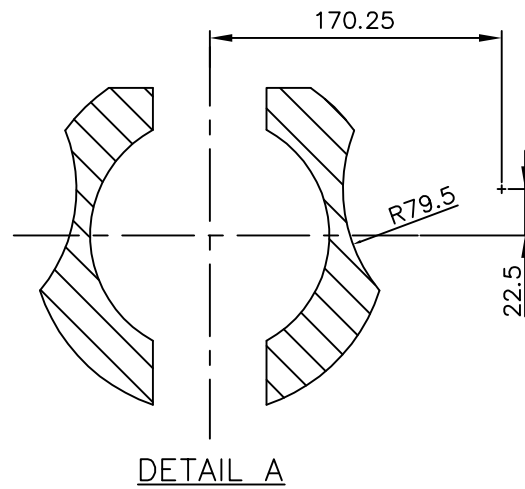
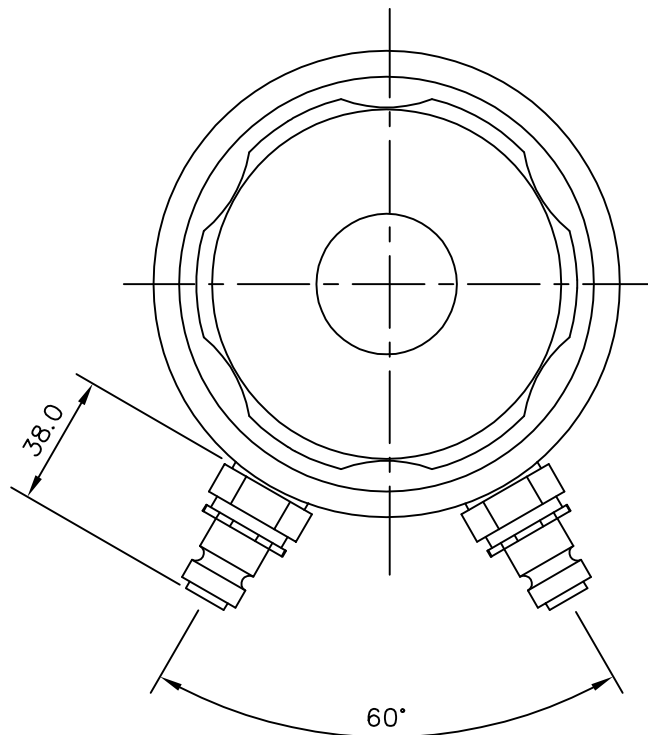
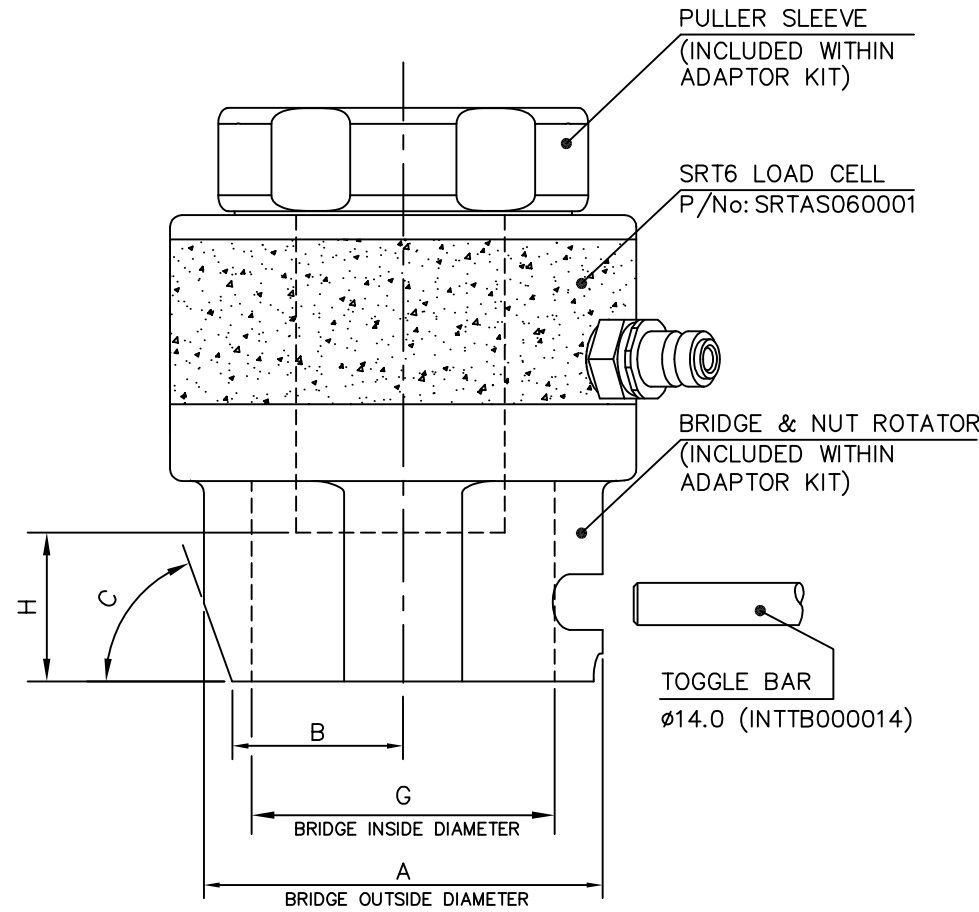
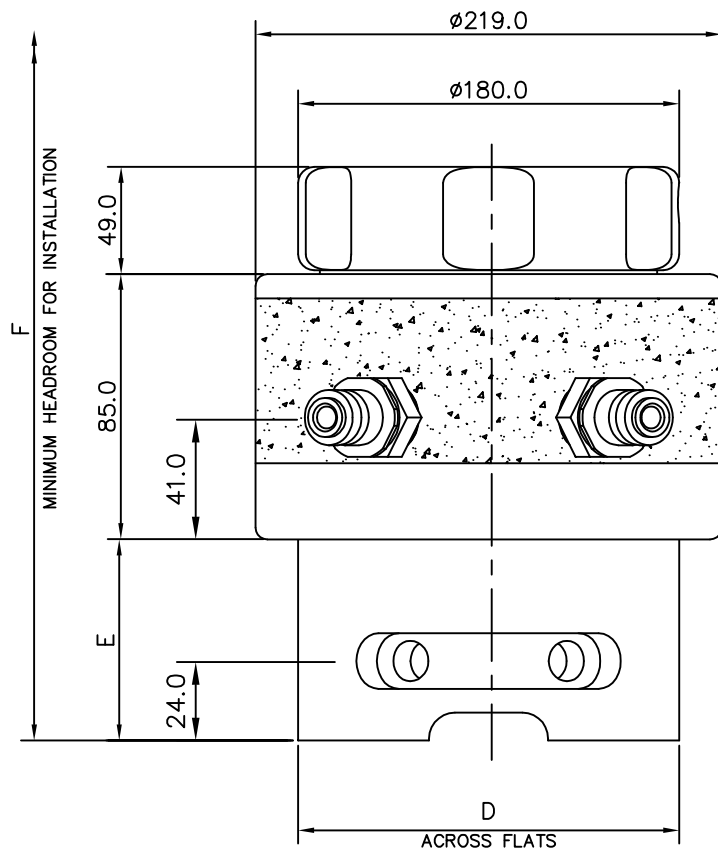


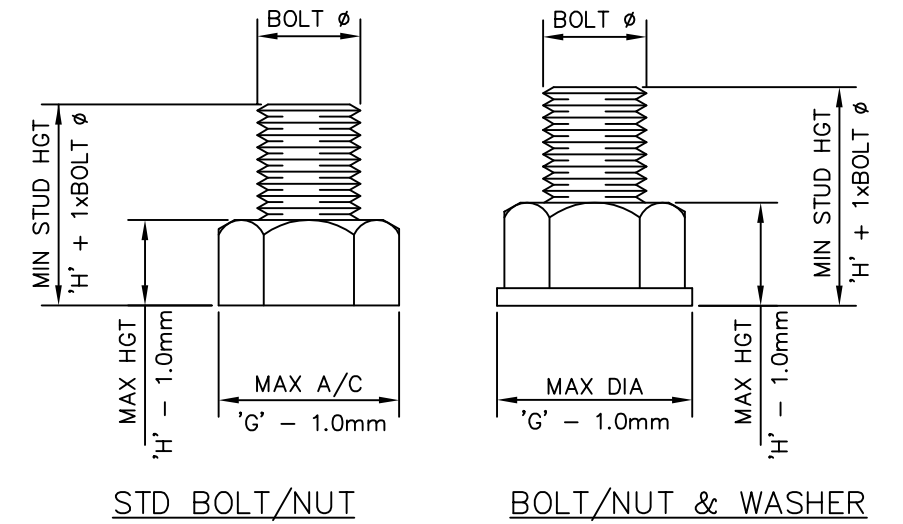
Dimensions in MILLIMETRES



DETAIL A
SRT6 3-1/2" / M90 BRIDGE
FOOTPRINT DETAIL DEC 2013 ONWARD
(PREVIOUS DESIGN ØA=205.0, NO FLATS)

BOLT/NUT INFORMATION

DO NOT SCALE



SRT6 TENSIONER SPECIFICATIONS

- MAX WORKING PRESSURE : 1500 Bar (21,750 psi)
- MAX STROKE : 10 mm (0.394")
- HYDRAULIC AREA : 16671 mm² (25.84 in²)
- LOAD AT MWP : 2500 kN (562050 lbf)

TENSIONER FEATURES

- AUTOMATIC SPRING RETURN PISTON
- OVERSTROKE ELIMINATOR VALVE
- PISTON STROKE INDICATOR
- QUICK CONNECT ADAPTOR KIT

BOLT DIA	NUT A/F	ADAPTOR KIT PART NUMBER	A mm	B mm	C mm	D mm	E mm	F mm	G mm	H mm
2-3/4" 8UN	4-1/4"	SRTAS060004	172.0	72.0	60°	157.0	82.0	294.0	129.5	74.0
3" 8UN	4-5/8"	SRTAS060006	182.0	80.0	64°	-	89.0	307.0	140.0	81.0
3-1/4" 8UN	5"	SRTAS060008	190.0	84.0	60°	-	95.0	320.0	151.0	87.0
3-1/2" 8UN	5-3/8"	SRTAS060010	205.0	88.0	60°	DETAIL A	101.0	332.0	163.0	93.0

M72 x 6.0	105mm	SRTAS060014	172.0	72.0	60°	157.0	82.0	297.0	129.5	62.0
M76 x 6.0	110mm	SRTAS060016	182.0	80.0	64°	-	89.0	308.0	140.0	65.0
M80 x 6.0	115mm	SRTAS060018	182.0	80.0	64°	-	89.0	312.0	140.0	68.0
M85 x 6.0	120mm	SRTAS060020	190.0	84.0	60°	-	95.0	323.0	151.0	72.0
M90 x 6.0	130mm	SRTAS060022	205.0	88.0	60°	DETAIL A	101.0	334.0	163.0	76.0

NOTE: METRIC ADAPTOR KITS DESIGNED TO SUIT NUTS TO BS3692 (i.e. NUT HEIGHT APPROX 0.8 x BOLT DIA)

© SPX Bolting Systems

The information on this sheet is on licence to SPX Bolting Systems. It is confidential and must only be used for the purpose for which it is supplied. It must not be copied or communicated to any third party without permission in writing from SPX Bolting Systems.

General Tol. ±0.25 USO	Quantity -	Material -	Heat Treatment -	Finish Processes -
Surface Finish 3.2 µm USO	Drawn by I.O'BRIEN		Checked by D.CAMPBELL	File Name -
Geometric Tol. ◎ 0.10 // 0.20 ⊕ 0.25	Date 04/06/2013		Scale NTS	
Title SRT6 HYDRAULIC TENSIONER GA			Drawing Number SRTGA060001	Edition 1
			Sheet 1/1	

Rev	Revision Description	Date	Signature	Checked
1	BOLT DATA ADDED. DETAIL A ADDED.	25/9/13	D.CAMPBELL	I.O'BRIEN