

LOW
230- 44.000 N.m

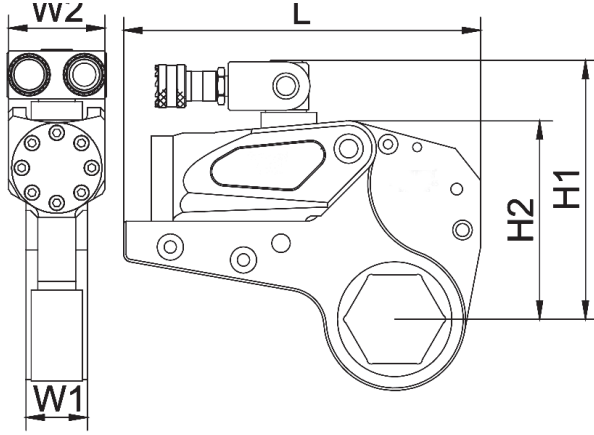
TORC | TECH
Hydraulic Torque Wrenches

Kasetli Hidrolik Tork Anahtarları
Low Clearance Hydraulic Torque Wrenches

Tork Anahtarları



- » Torklama Hassasiyeti: $\pm 3\%$
- » Kapasite Aralığı: 230 - 44.500 Nm
- » Kaset Seçenekli 5 Farklı Piston
- » Kaset Aralığı: 19 mm – 175 mm
- » 360°x180° Hareketli Yağ Giriş Bloğu
- » Kapsamlı Aksesuar ve Adaptör Seçenekleri
- » Kare ve Ayan Sürücü ile Kullanım İmkanı
- » Minimum Et Kalınlığı, Maksimum Tork Kuvveti
- » Kaset ve Burç Değişimi Elle Kolayca Yapılabilir
- » Ağır Çalışma Şartlarına Uygun Yapı, Uzun Ömür
- » Türkiye'de Teknik Servis ve Kalibrasyon Hizmeti



- » Torque Tightening Accuracy: $\pm 3\%$
- » Capacity Range: 230 - 44,500 Nm
- » Working Pressure: 700 bar
- » Cassette Size Range: 19 mm - 175 mm
- » 360° x 180° Multi-Positional Oil Port
- » Quick-Release Coupling Connections
- » Easily Changeable Ratchet and Reducer
- » Designed for Heavy-Duty Applications
- » Simple, Usable with Square & Hex Drives
- » Simple Drive Assembly, Less Downtime
- » Minimum Thickness, Maximum Torque Power

Model	Tork Değeri Torque Range	Lokma Ölçüsü Hexagon Size	Piston Power Head	Kaset Ratchet	Ölçüler (mm) Dimensions				
#	N.m	mm	kg	kg	L	H1	H2	W1	W2
2 LOW	230 - 2.300	19~55	1	1.6	196	126	102.5	32	51
	240 - 2.400	60	1	1.7	196	129	105	32	51
4 LOW	580 - 5.850	34~65	2	4.4	245	177	138	42	66
	645 - 6.500	70~80	2	4.6	246	187	146	42	66
8 LOW	1.095 - 10.940	41~95	3.3	8	300	207	169	53	83
	1.175 - 11.500	100~105	3.3	8.4	301	216	178	53	83
14 LOW	1.850 - 18.500	50~117	5.5	11.6	361	239	204	64	99
30	4.180 - 41.800	85~155	11.4	29	430	303	272	85	131
	4.450 - 44.500	160~175	11.4	30	441	315	285	85	131

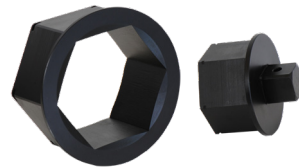
Aksesuarlar



Hortum



Kaplin



Adaptor



Tork Pompası

TORC | TECH

Hydraulic Torque Wrenches

Low Serisi Kaset Ölçüleri

Low Low Profile Dimensions



2 Low			
No	R	A	H
#	mm		
2 LOW-19	27	16	19
2 LOW-22	27	14	22
2 LOW-27	27	11	27
2 LOW-30	29	12	30
2 LOW-32	29	11	32
2 LOW-34	31	11	34
2 LOW-36	31	10	36
2 LOW-41	34	10	41
2 LOW-46	37	10	46
2 LOW-50	40	11	50
2 LOW-55	43	11	55
2 LOW-60	46	11	60

4 Low			
No	R	A	H
#	mm		
4 LOW-34	36	16	34
4 LOW-36	36	15	36
4 LOW-41	39	15	41
4 LOW-46	42	15	46
4 LOW-50	44	15	50
4 LOW-55	46	14	55
4 LOW-60	50	15	60
4 LOW-65	53	15	65
4 LOW-70	56	15	70
4 LOW-75	59	15	75
4 LOW-80	61	15	80

8 Low			
No	R	A	H
#	mm		
8 LOW-41	46	22	41
8 LOW-46	46	19	46
8 LOW-50	46	17	50
8 LOW-55	50	18	55
8 LOW-60	52	17	60
8 LOW-65	55	17	65
8 LOW-70	58	17	70
8 LOW-75	60	17	75
8 LOW-80	63	16	80
8 LOW-85	66	16	85
8 LOW-90	69	17	90
8 LOW-95	71	16	95
8 LOW-100	75	17	100
8 LOW-105	78	17	105

14 Low			
No	R	A	H
#	mm		
14 LOW-50	60	31	50
14 LOW-55	60	28	55
14 LOW-60	60	25	60
14 LOW-65	60	22	65
14 LOW-70	60	19	70
14 LOW-75	63	19	75
14 LOW-80	66	19	80
14 LOW-85	69	19	85
14 LOW-90	72	20	90
14 LOW-95	74	19	95
14 LOW-100	77	19	100
14 LOW-105	80	19	105
14 LOW-110	83	19	110
14 LOW-115	87	20	115
14 LOW-117	87	19	117

30 Low			
No	R	A	H
#	mm		
30 LOW-85	78	28	85
30 LOW-90	78	27	90
30 LOW-95	83	28	95
30 LOW-100	83	25	100
30 LOW-105	89	28	105
30 LOW-110	89	25	110
30 LOW-115	95	28	115
30 LOW-117	95	27	117
30 LOW-120	95	25	120
30 LOW-125	101	29	125
30 LOW-130	101	26	130
30 LOW-135	104	26	135
30 LOW-140	110	29	140
30 LOW-145	110	26	145
30 LOW-150	116	29	150
30 LOW-155	116	26	155
30 LOW-160	128	36	160
30 LOW-165	128	33	165
30 LOW-170	128	30	170
30 LOW-175	128	27	175

W1= 32 mm

W1= 42 mm

W1= 53 mm

W1= 64 mm

W1= 85 mm

